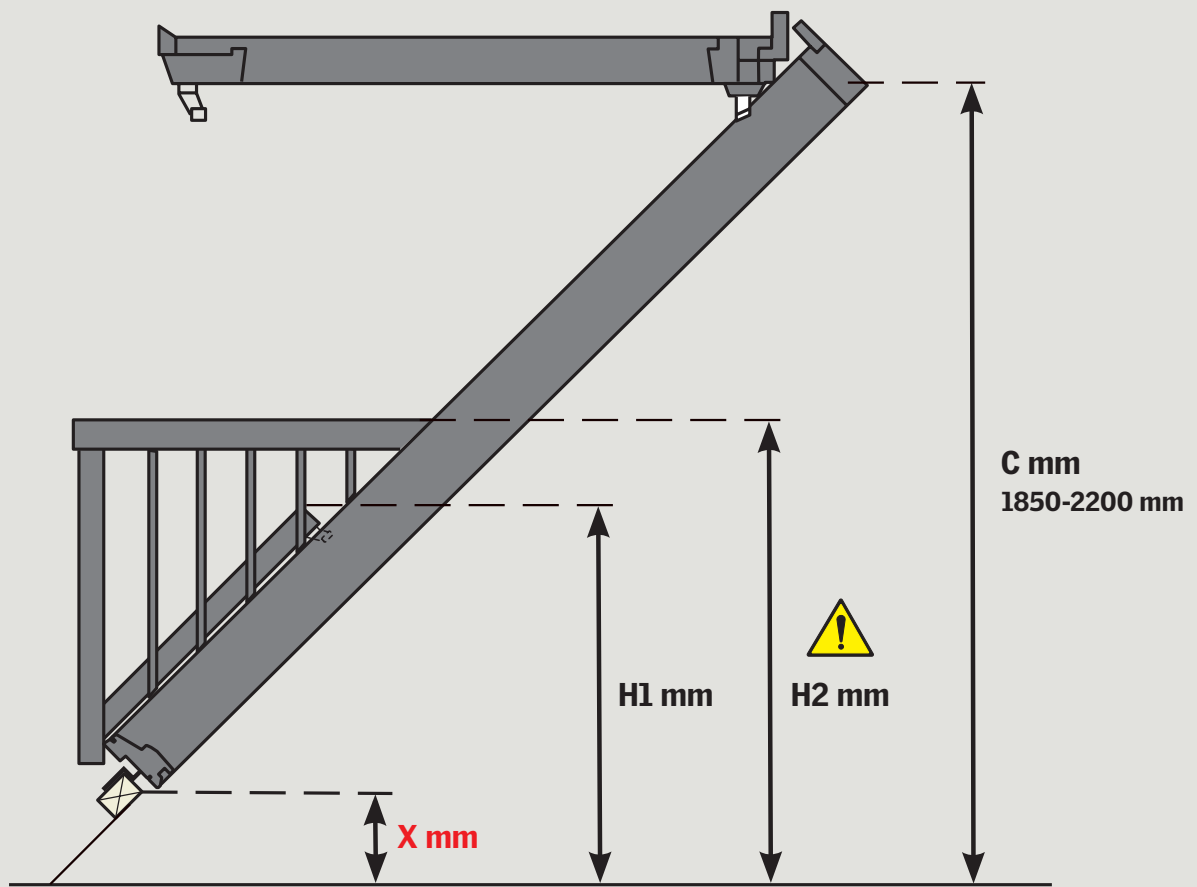
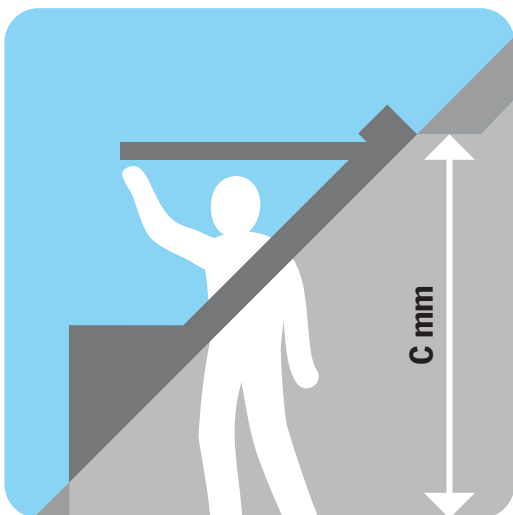


GDL ■



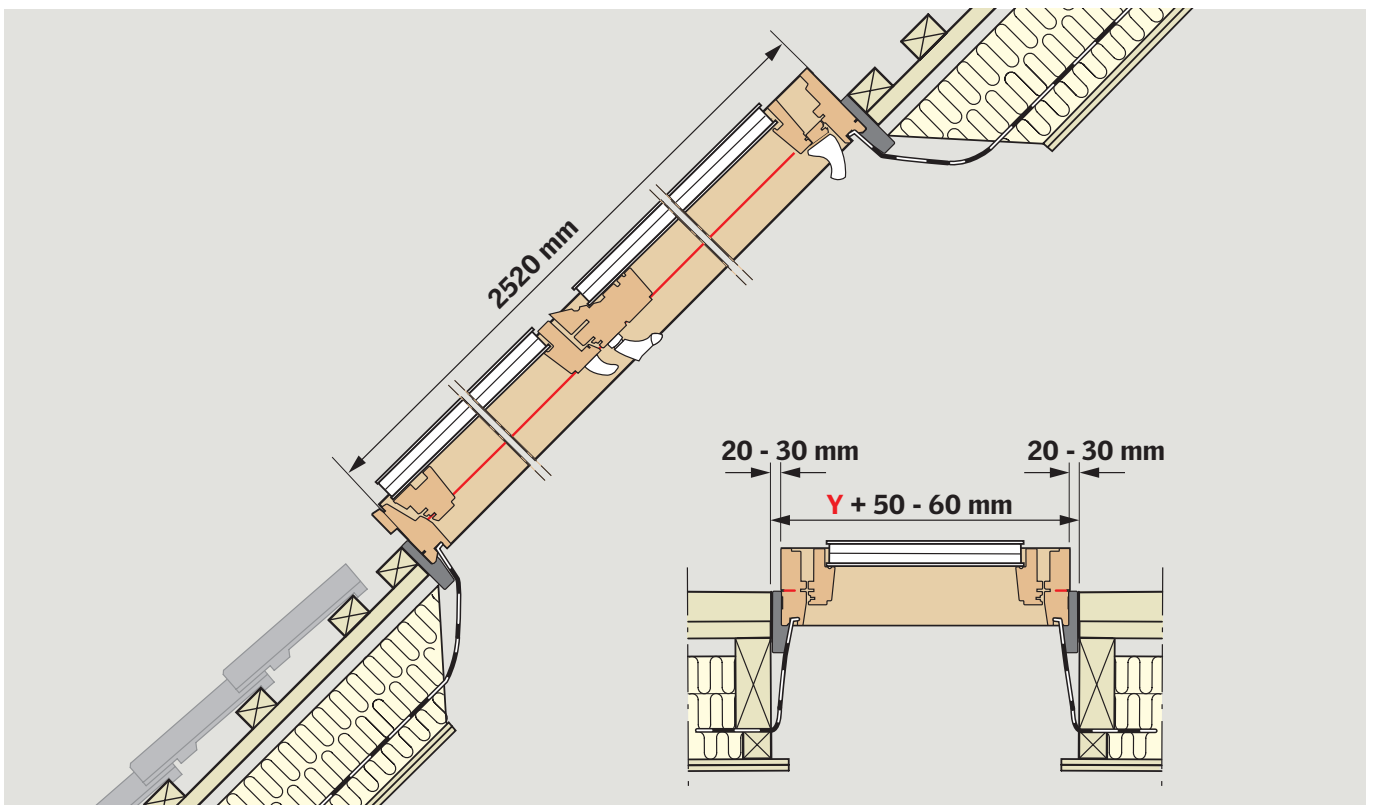
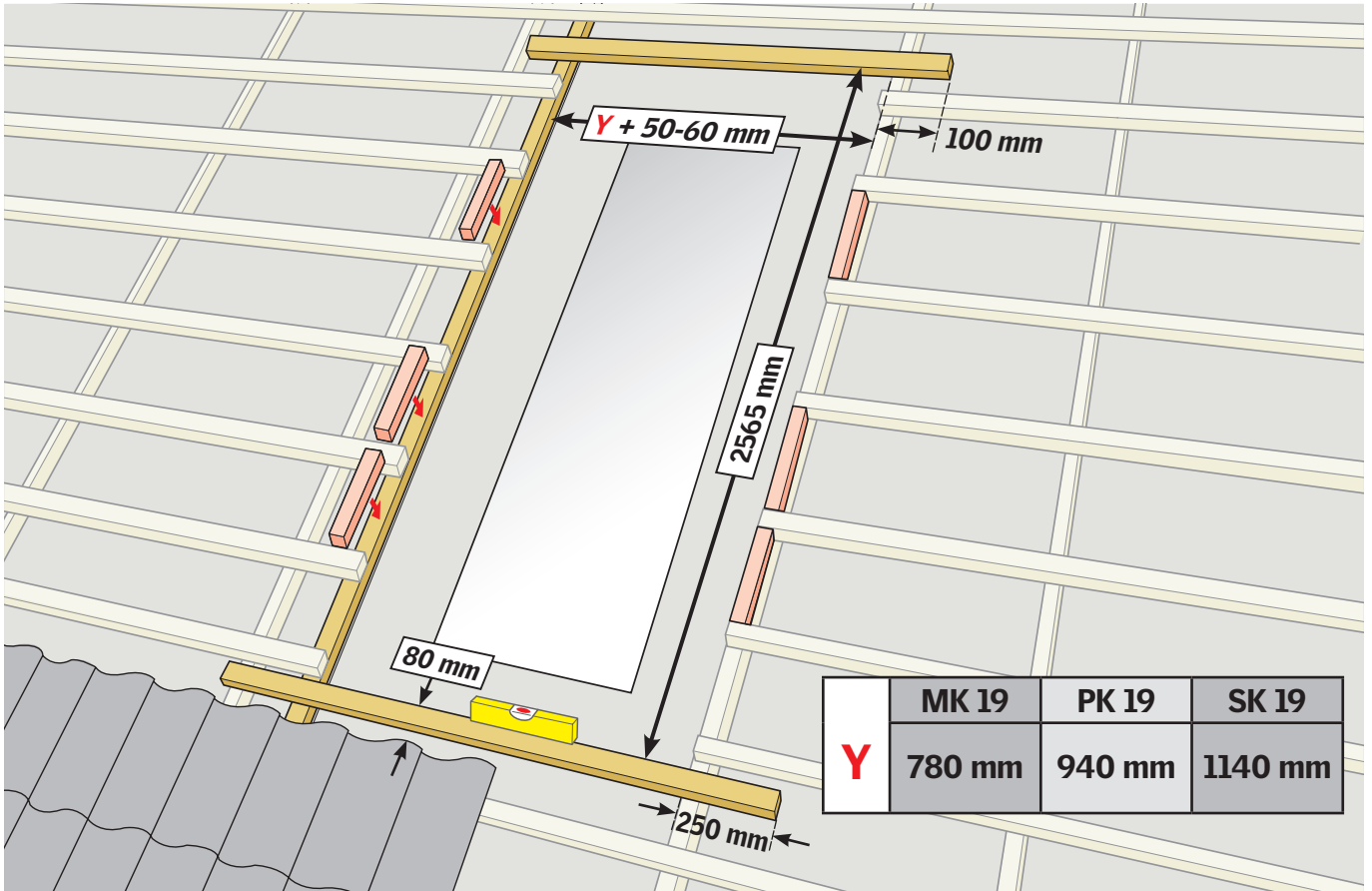


www.velux.com/GDL
 Cabrio installation height
 Calculate installation height

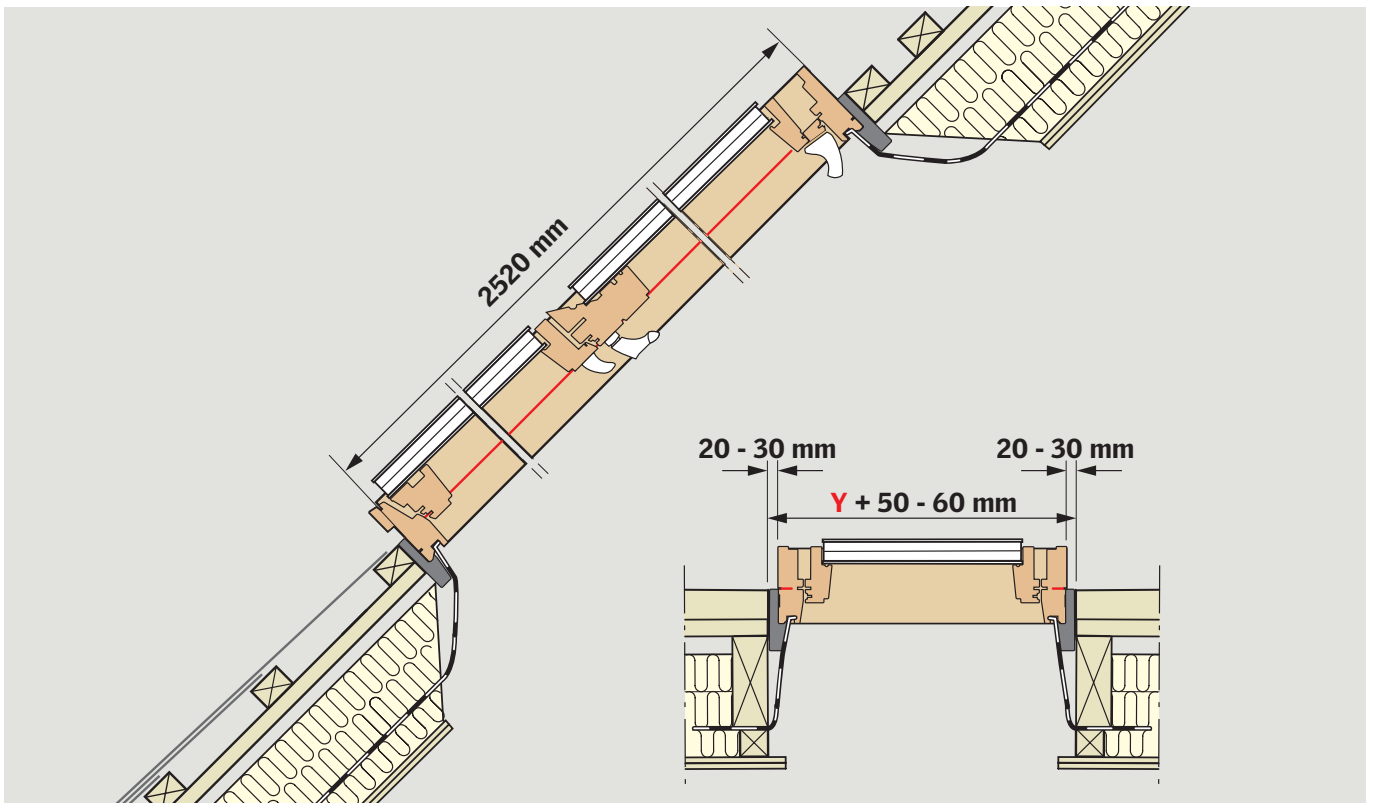
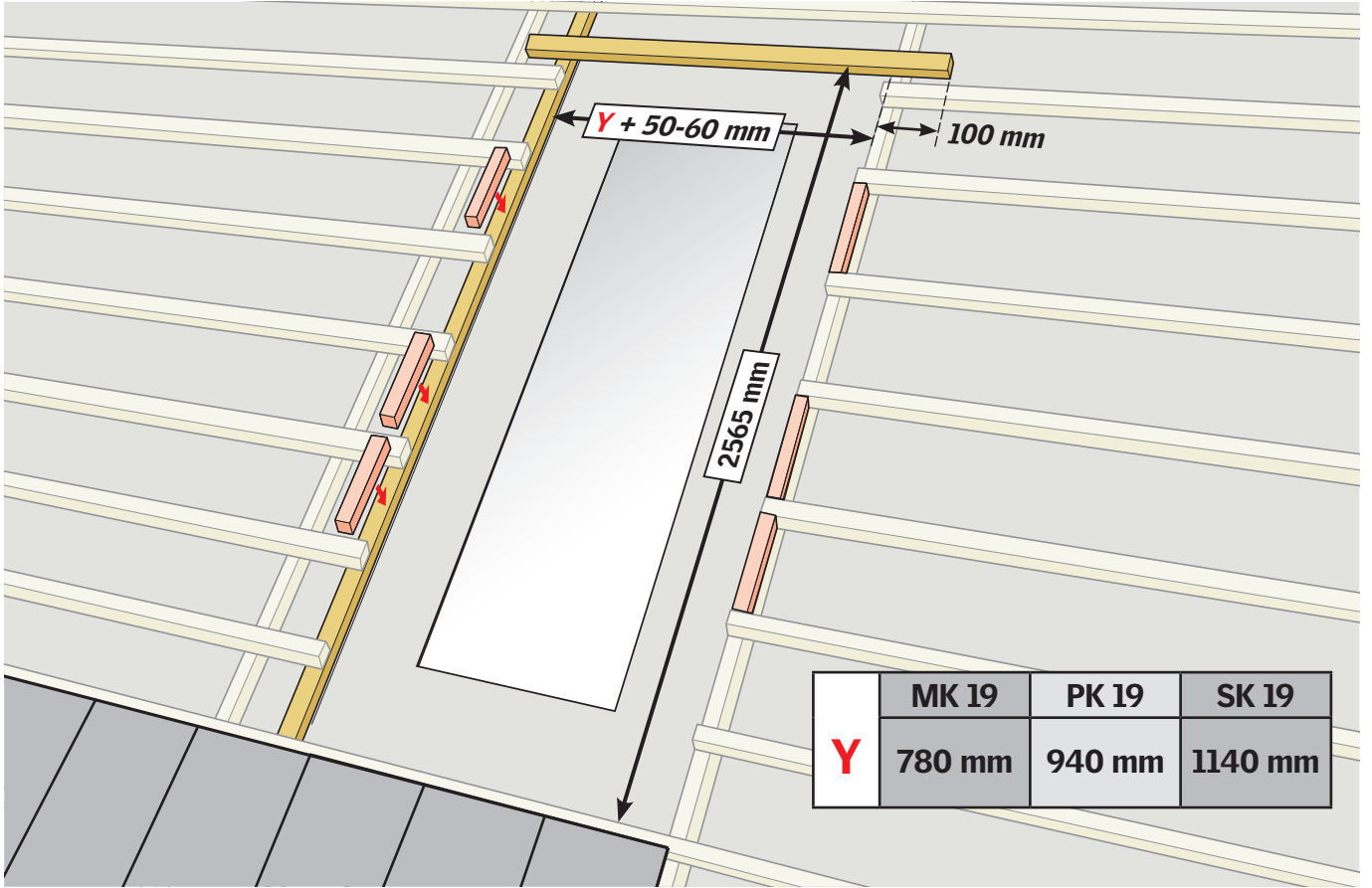
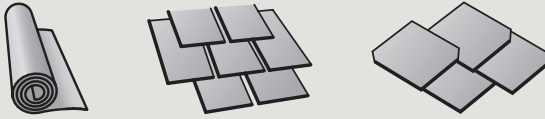


	X mm	H1 mm	⚠ H2 mm	C mm
 35°-39°	213	800	1146	1631
	263	850	1196	1681
	313	900	1246	1731
	363	950	1296	1781
	413	1000	1346	1831
	463	1050	1396	1881
	513	1100	1446	1931
 40°-42°	157	800	1090	1753
	207	850	1140	1803
	257	900	1190	1853
	307	950	1240	1903
	357	1000	1290	1953
	407	1050	1340	2003
	457	1100	1390	2053
 43°-45°	125	800	1058	1823
	175	850	1108	1873
	225	900	1158	1923
	275	950	1208	1973
	325	1000	1258	2023
	375	1050	1308	2073
	425	1100	1358	2123
 46°-48°	95	800	1028	1889
	145	850	1078	1939
	195	900	1128	1989
	245	950	1178	2039
	295	1000	1228	2089
	345	1050	1278	2139
	395	1100	1328	2189
 49°-53°	67	800	1000	1953
	117	850	1050	2003
	167	900	1100	2053
	217	950	1150	2103
	267	1000	1200	2153
	317	1050	1250	2203
	367	1100	1300	2253

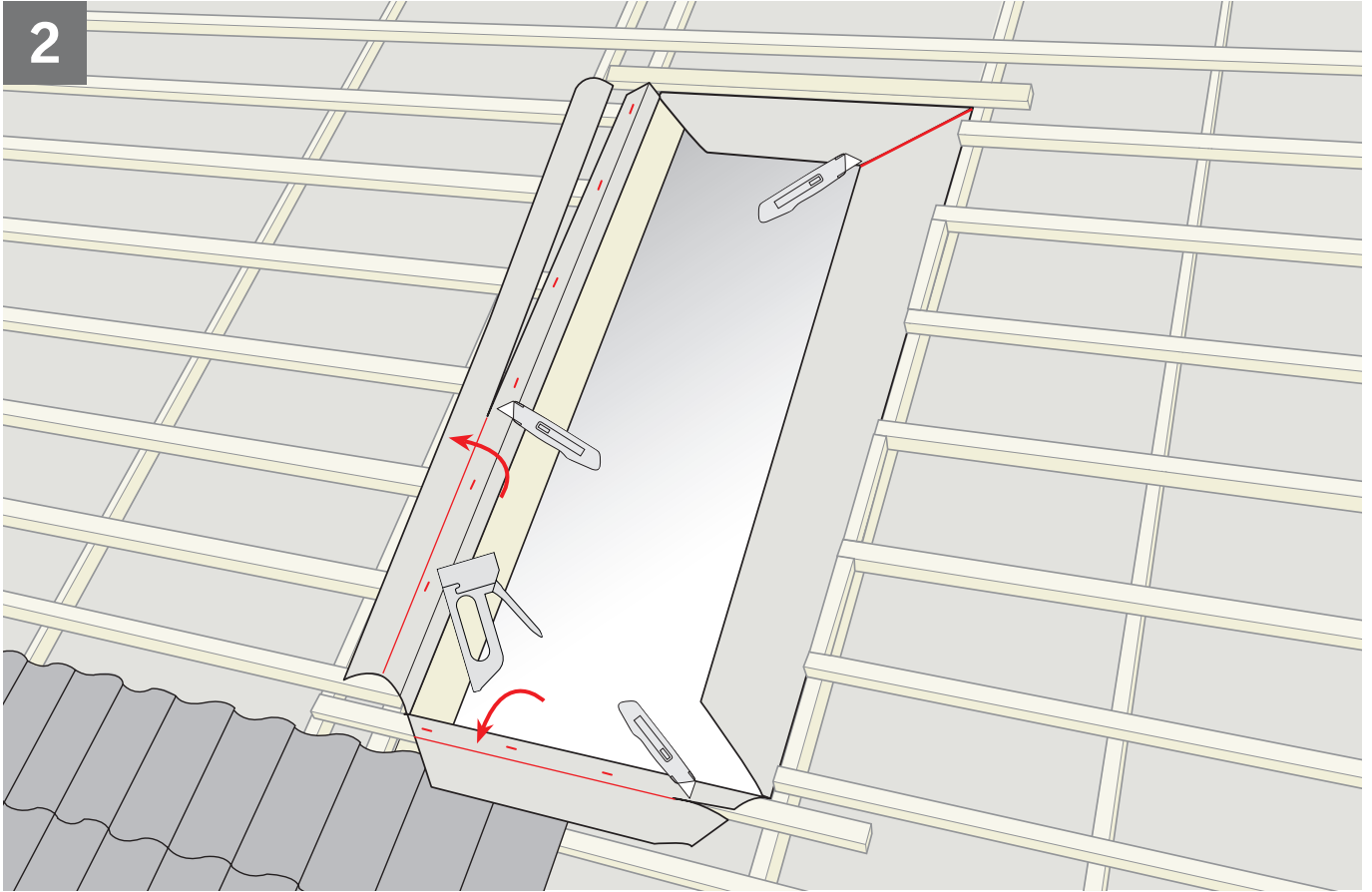
1a



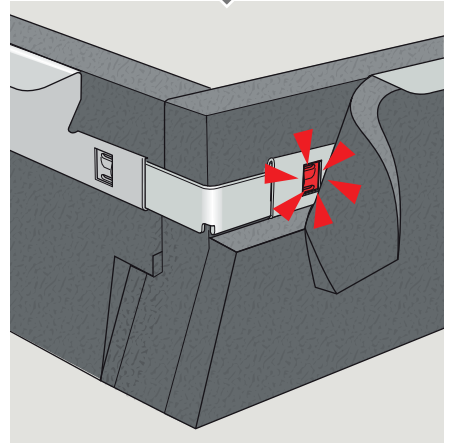
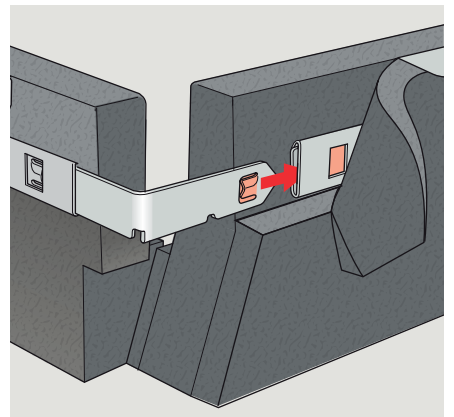
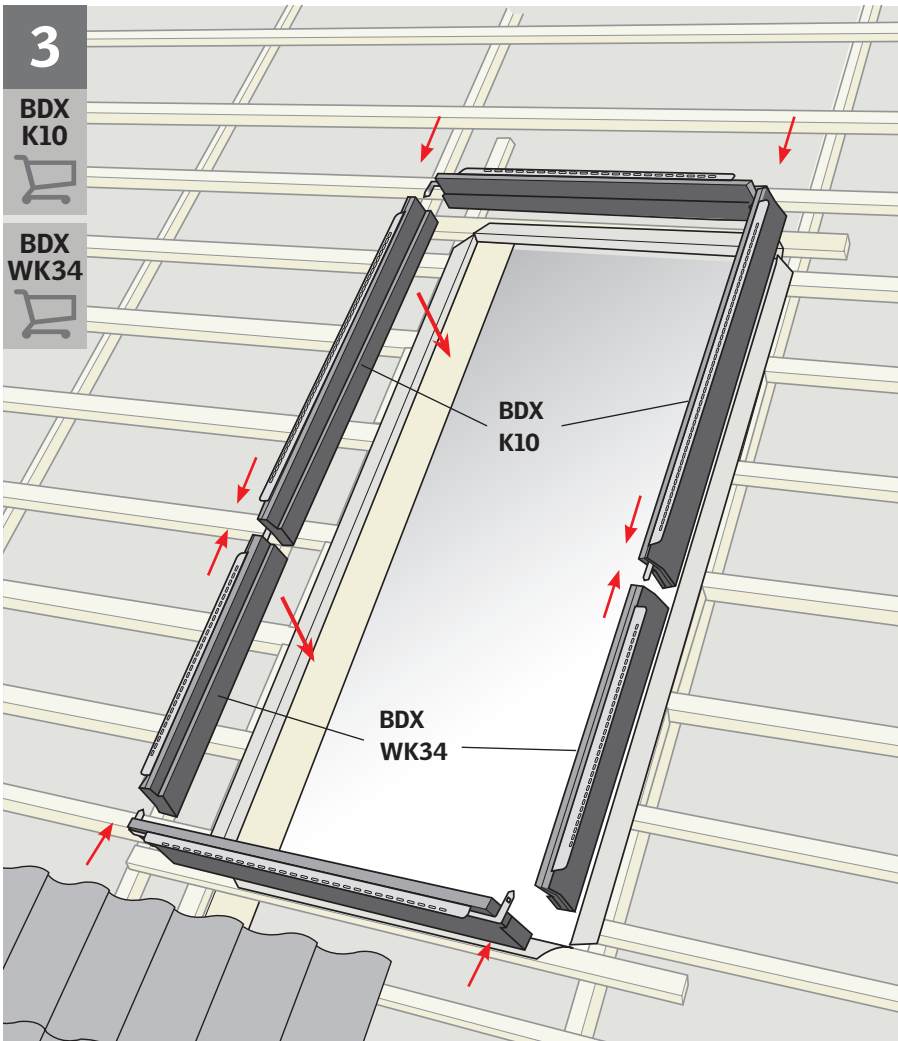
1b

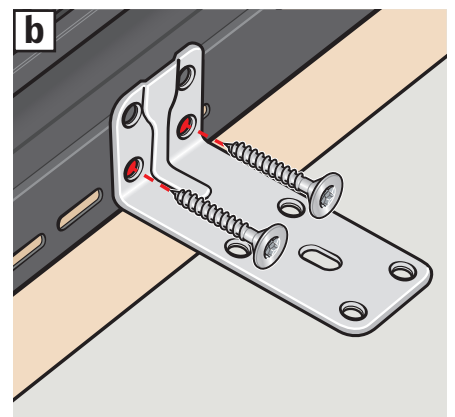
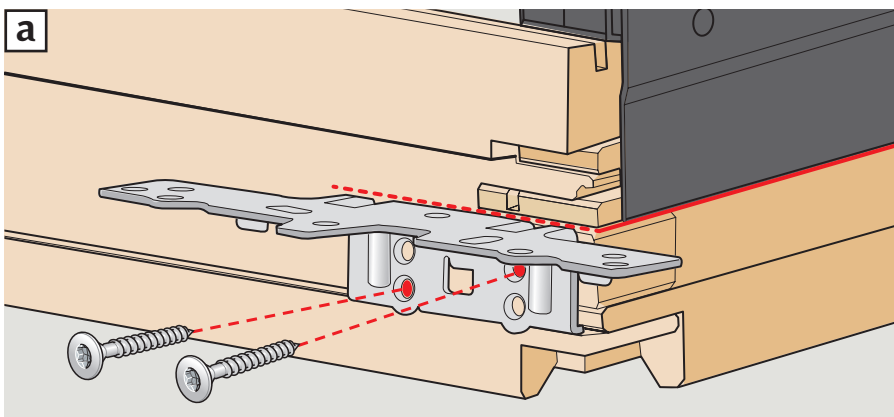
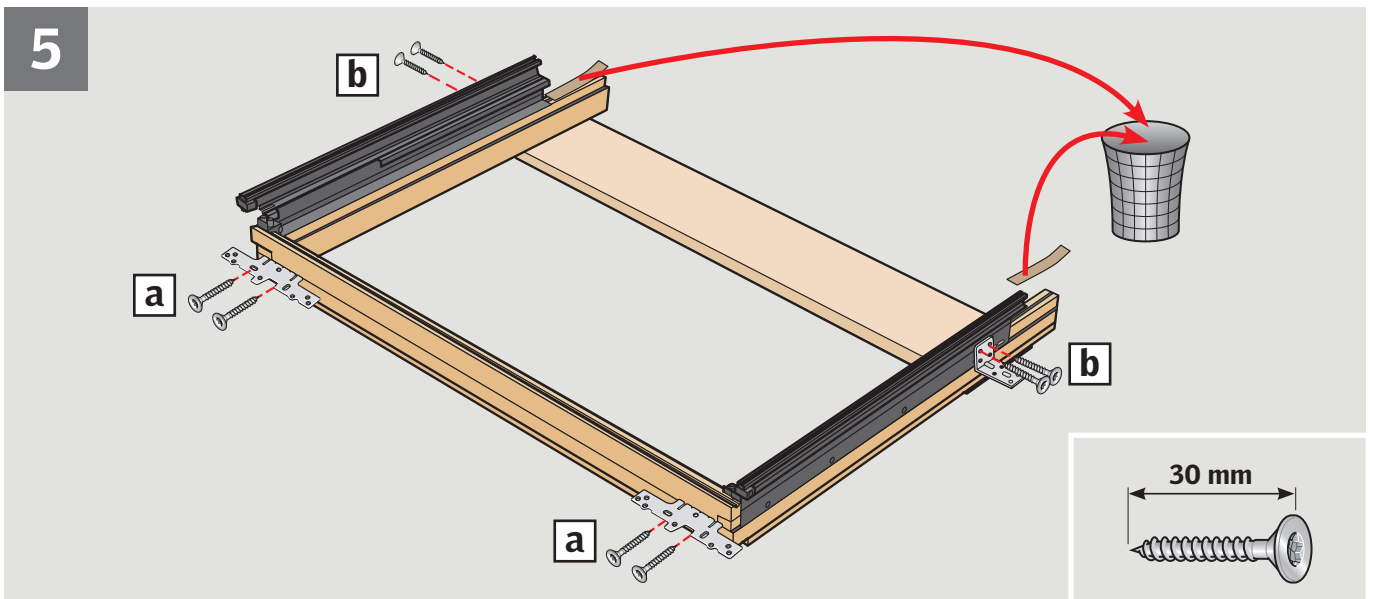
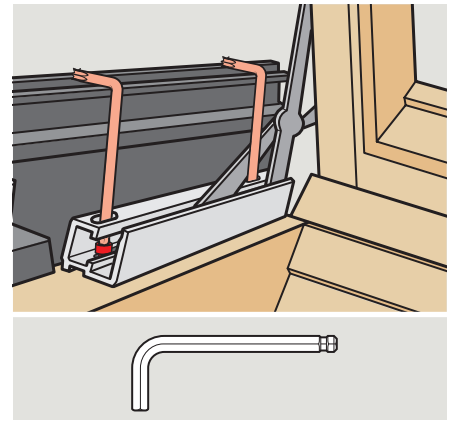
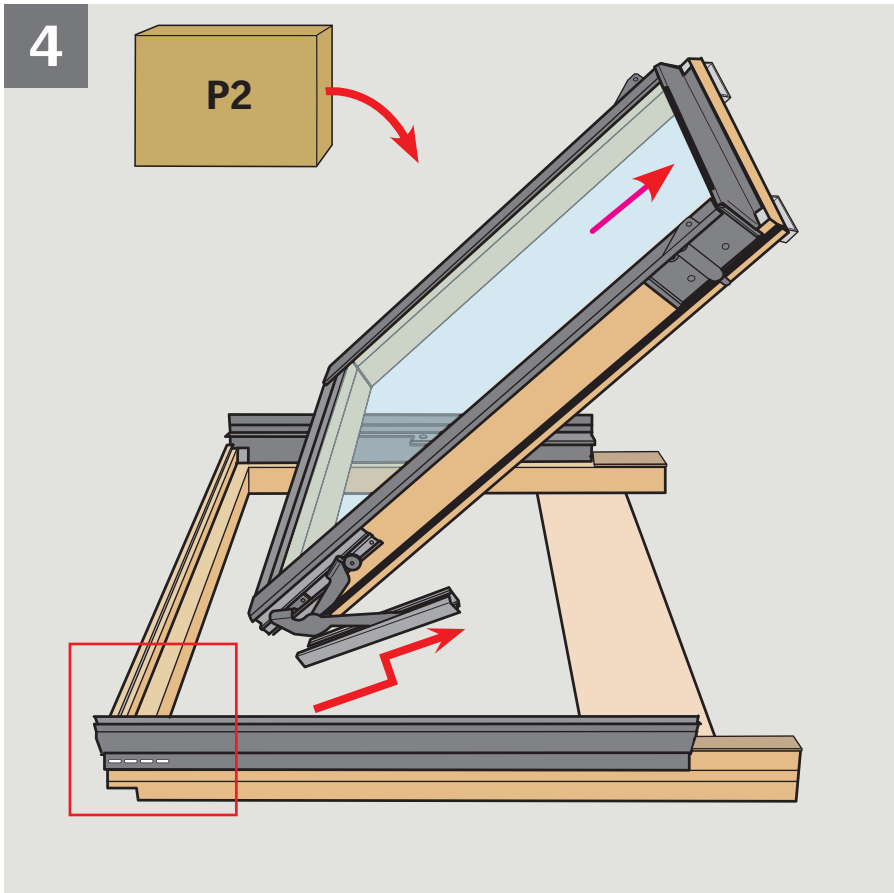


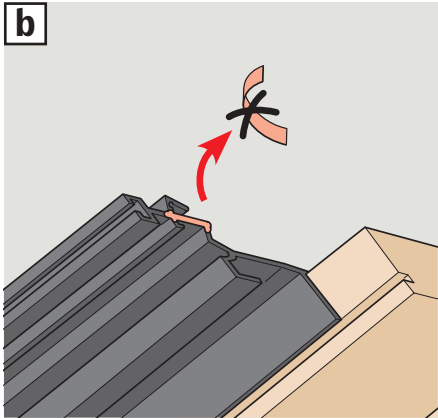
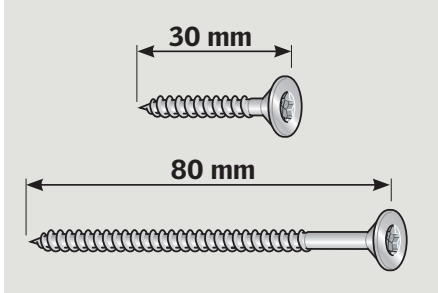
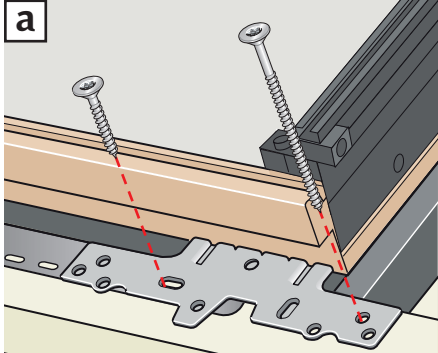
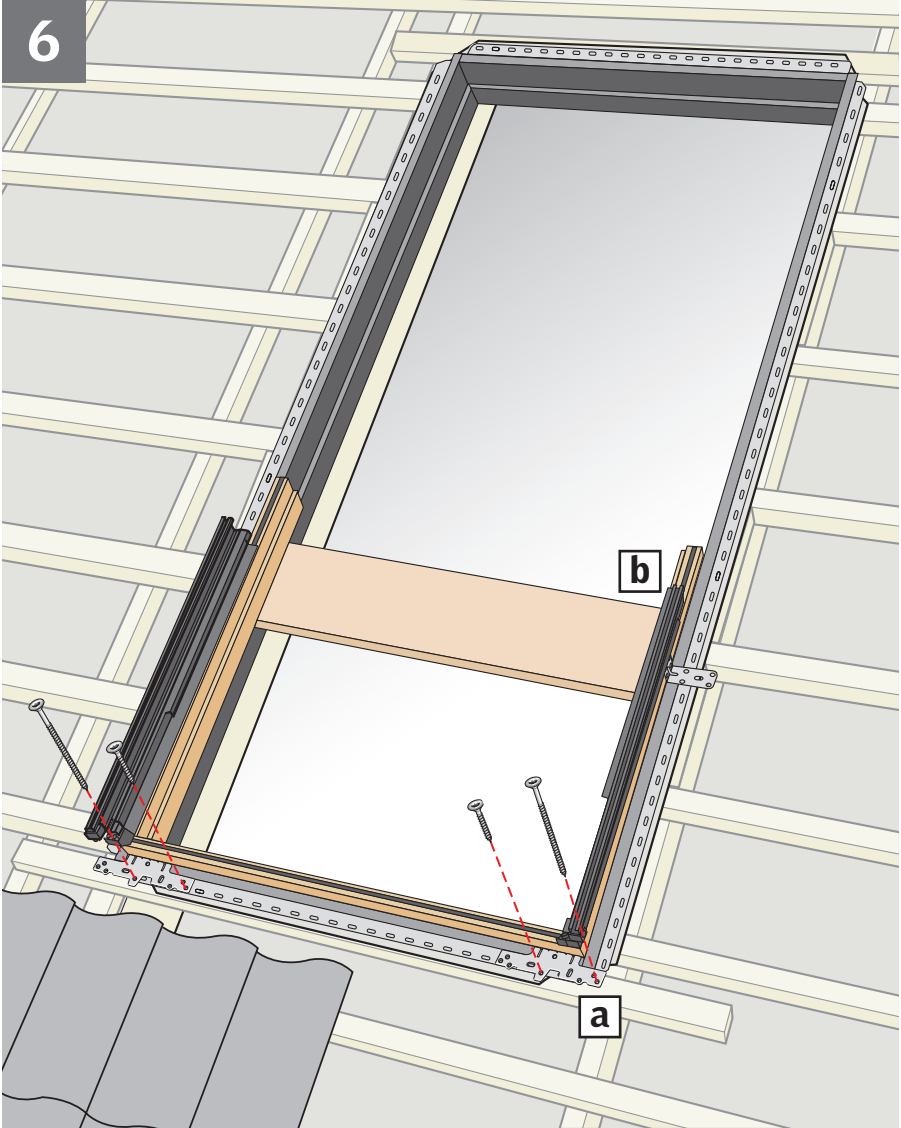
2



3

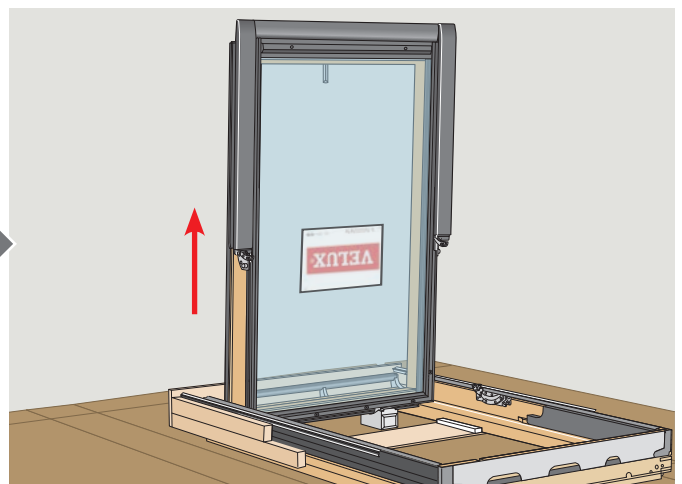
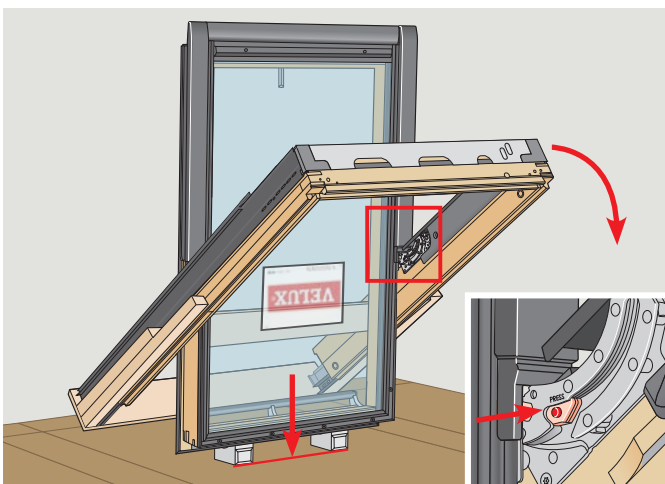
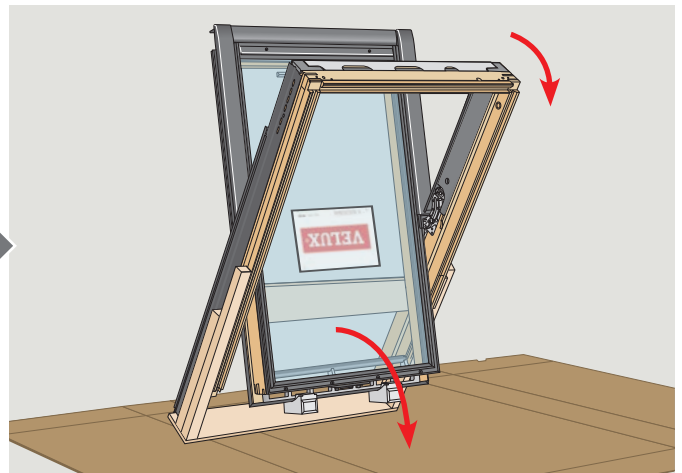
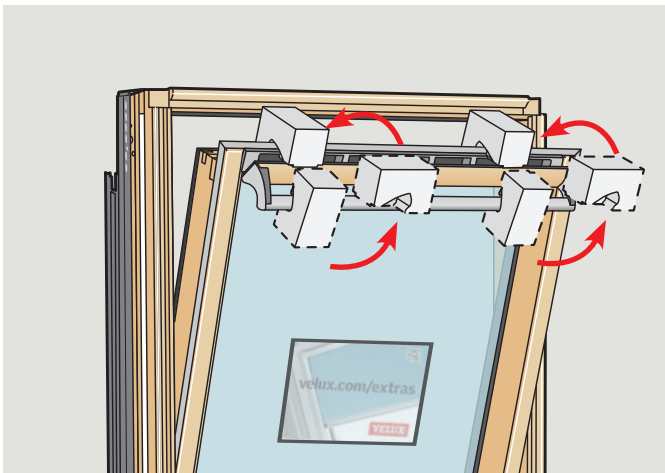
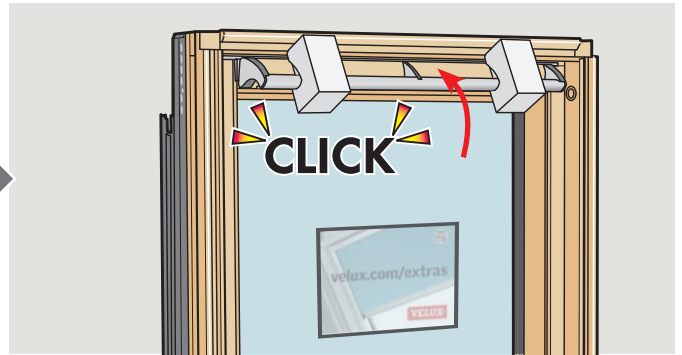
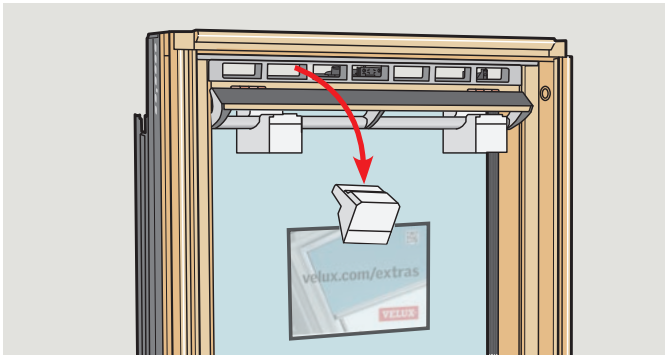
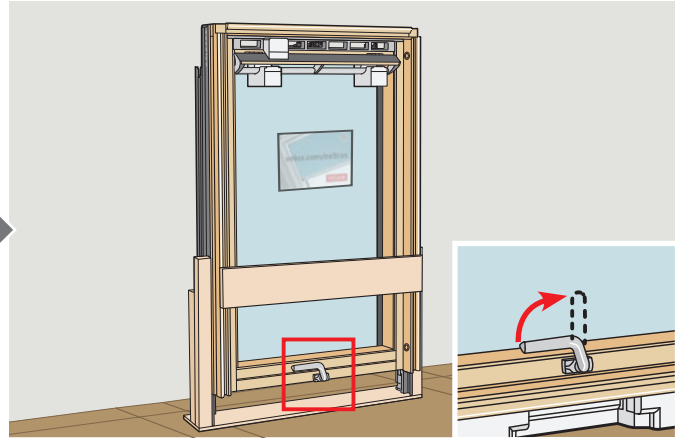
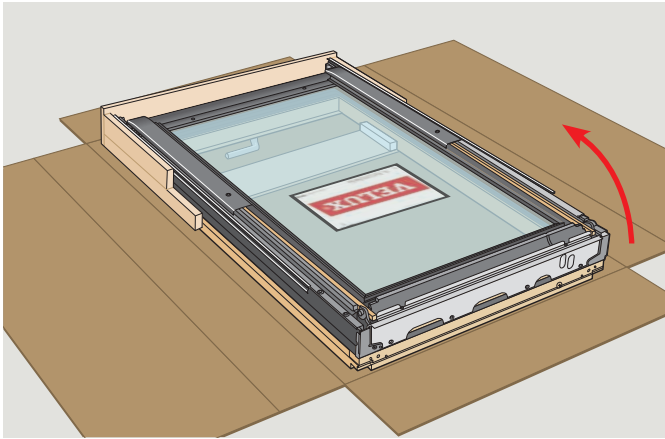
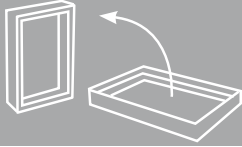




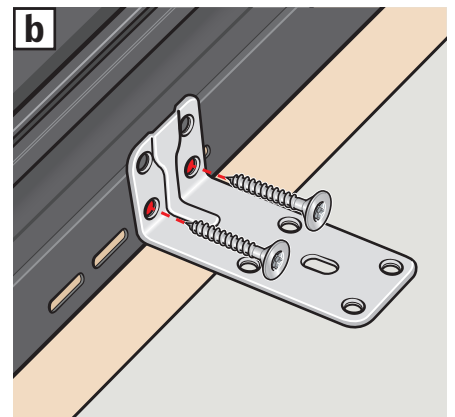
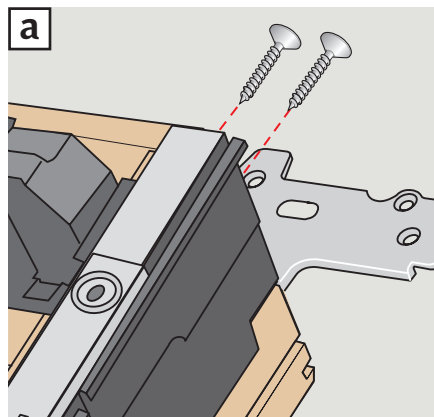
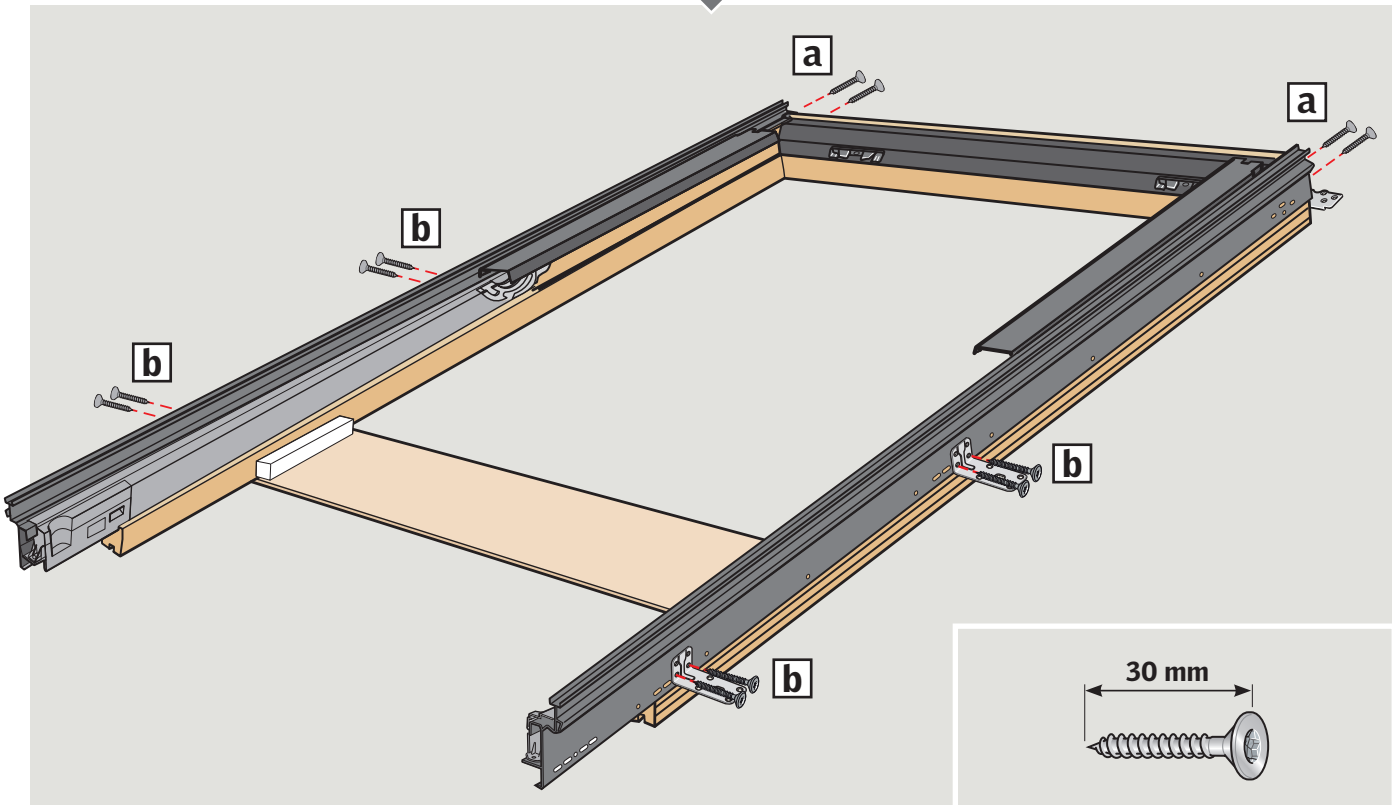
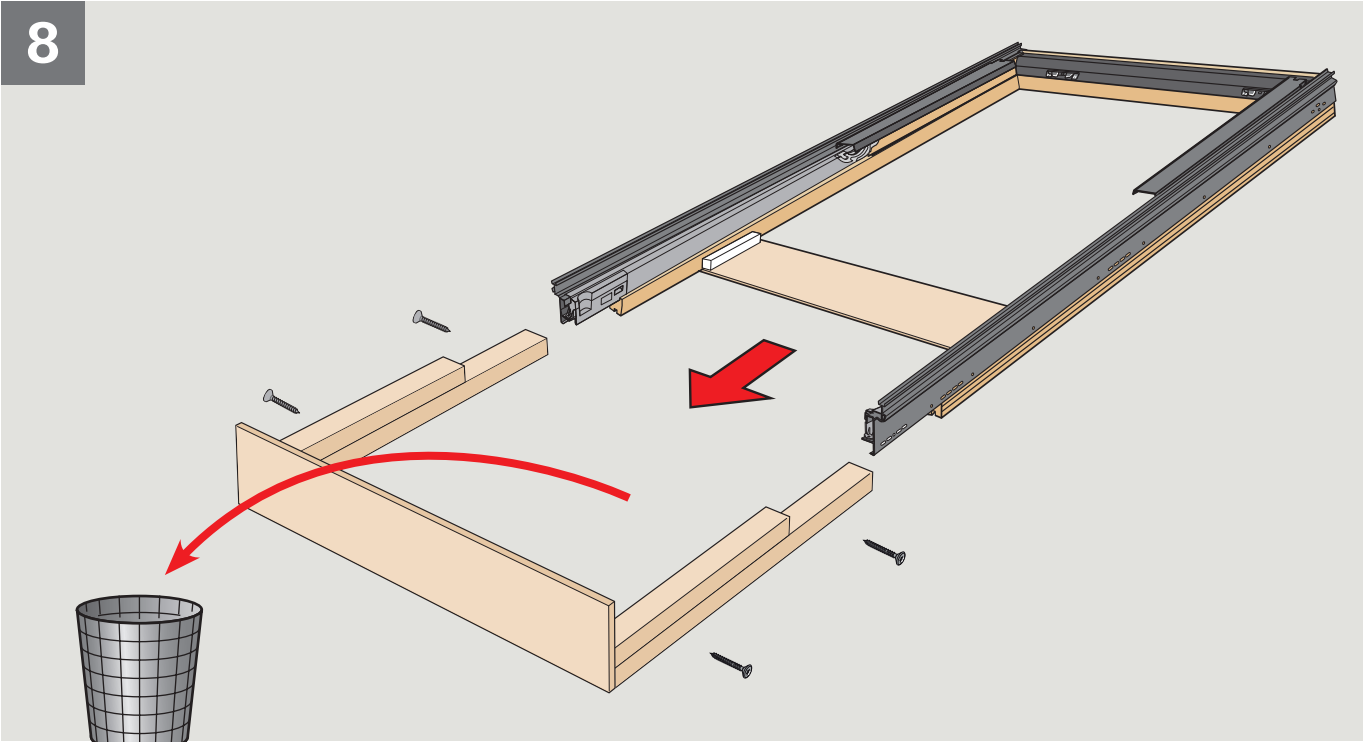


7

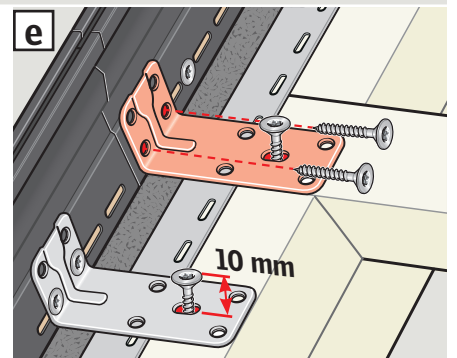
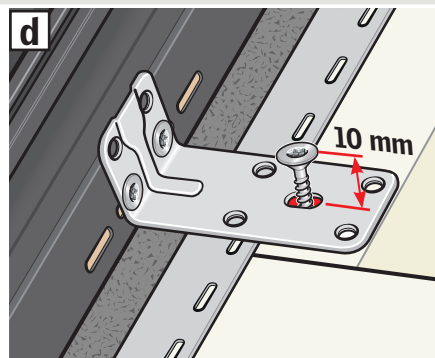
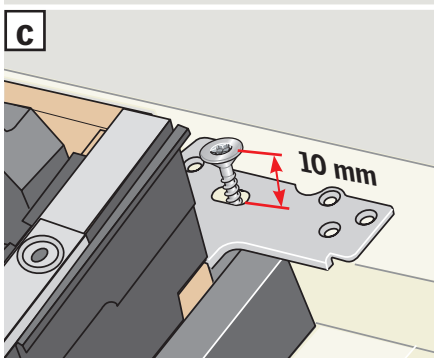
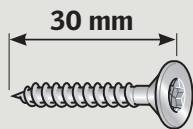
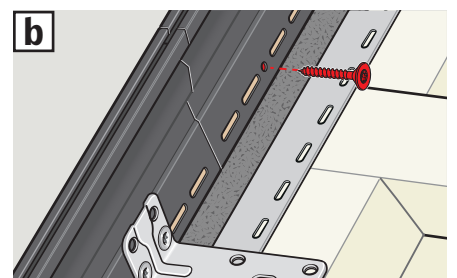
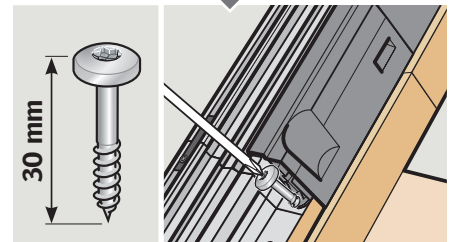
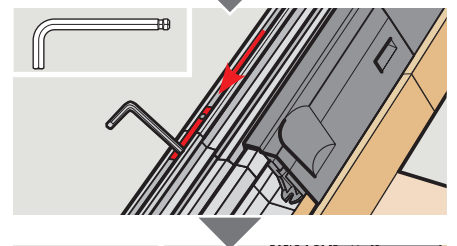
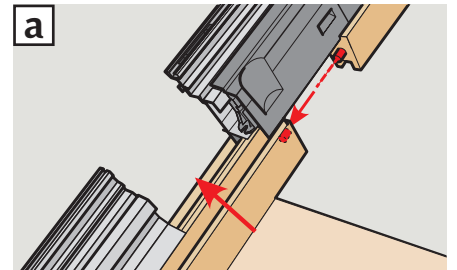
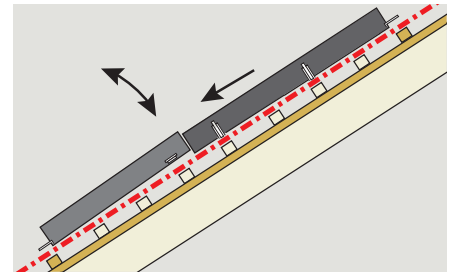
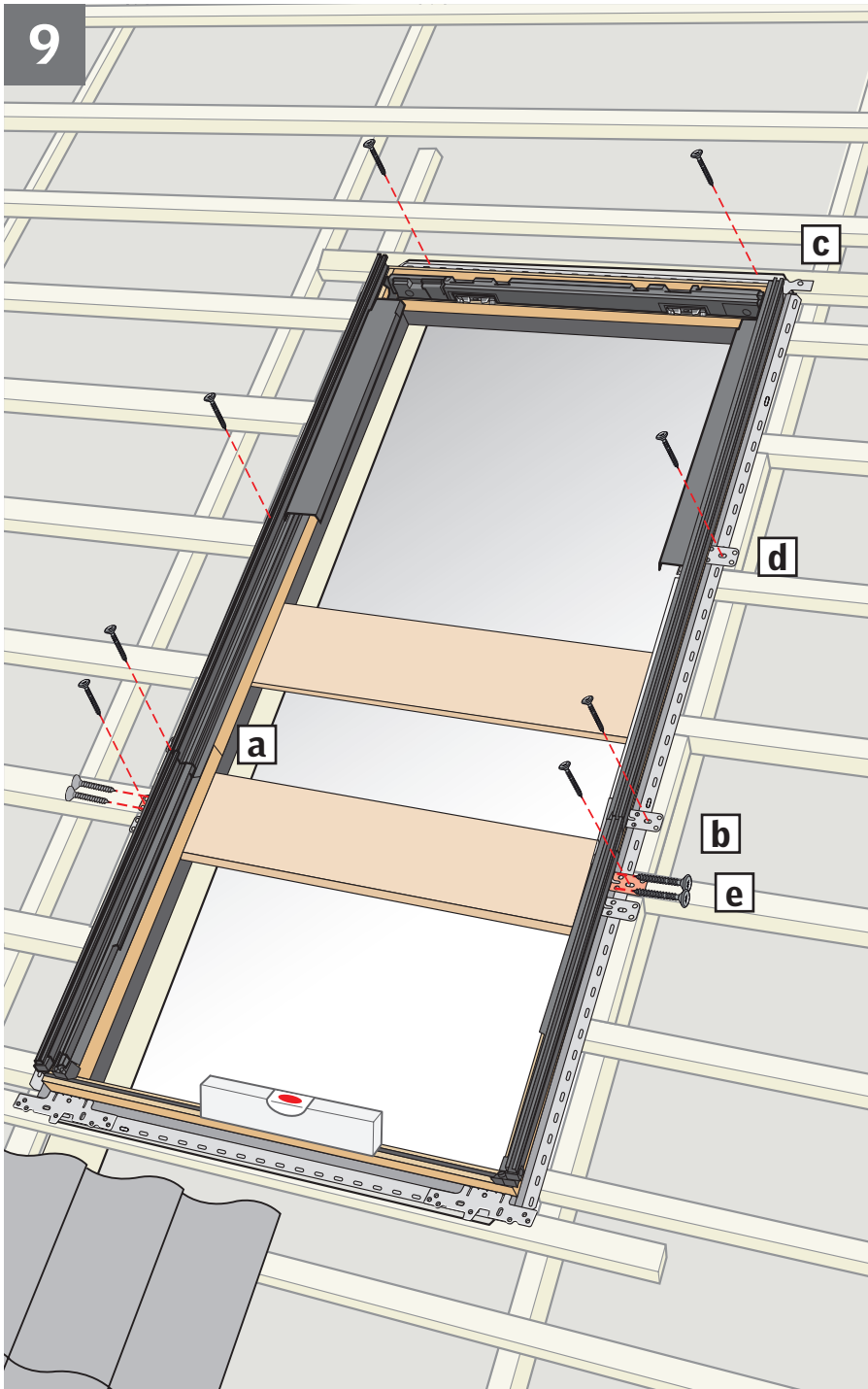
P1

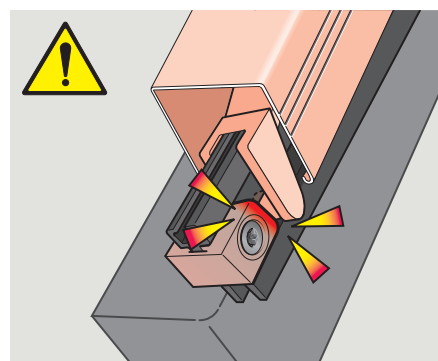
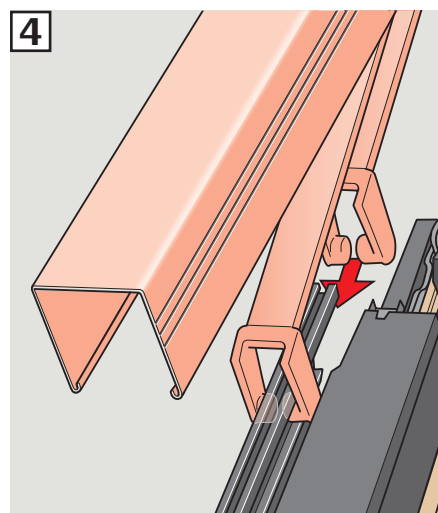
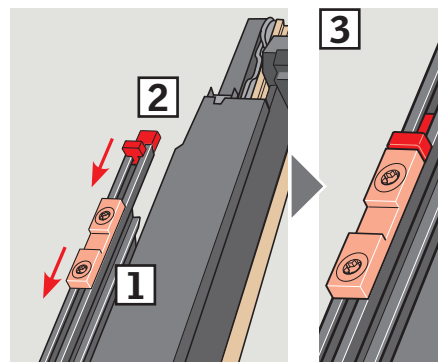
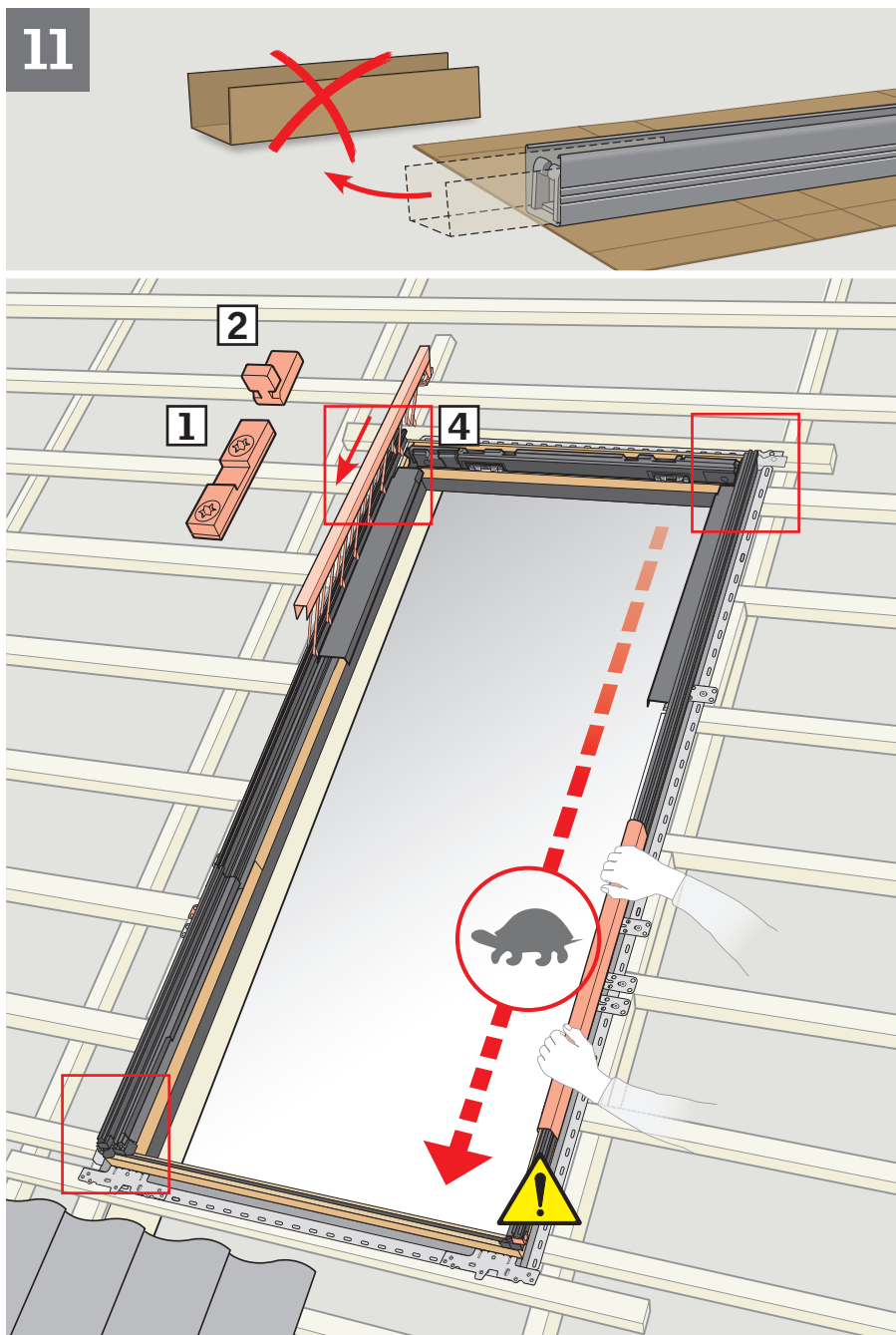
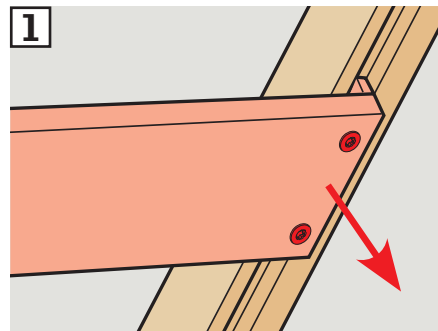
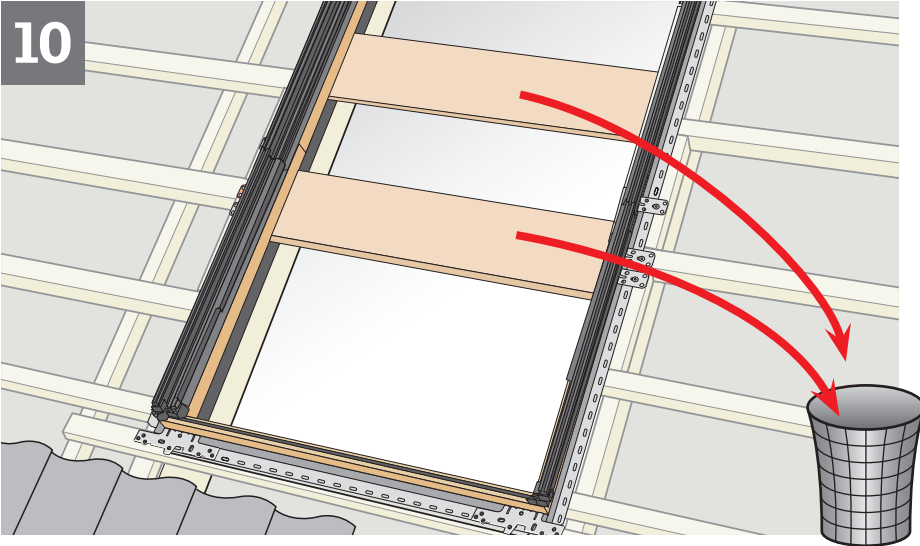


8

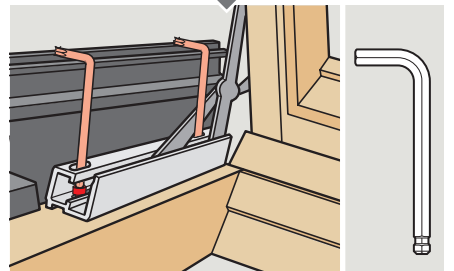
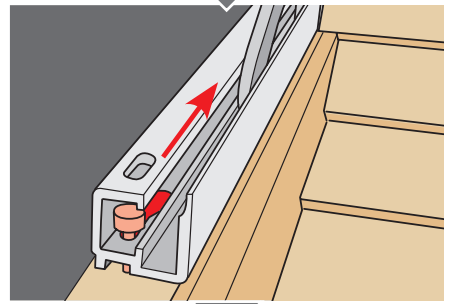
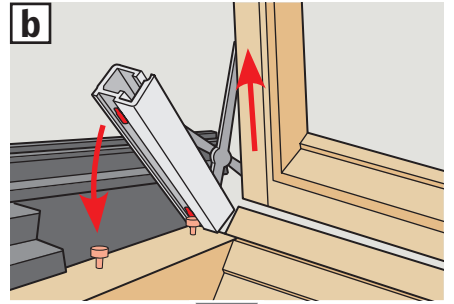
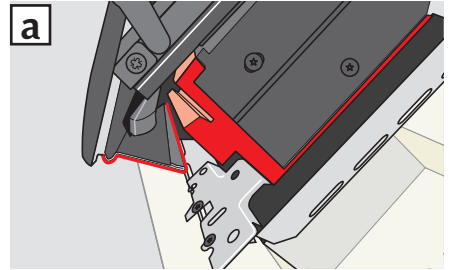
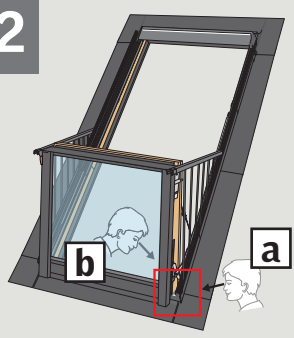
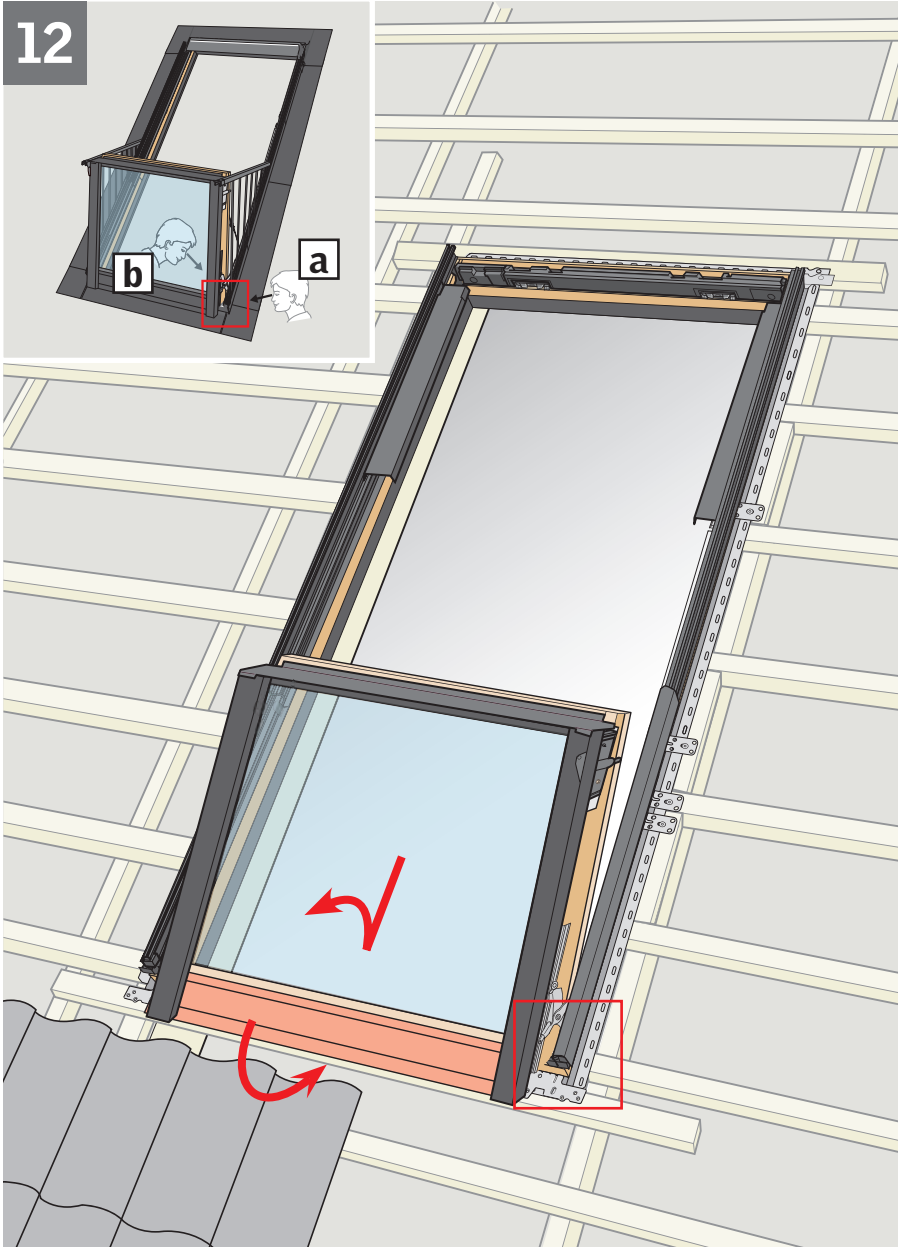


9

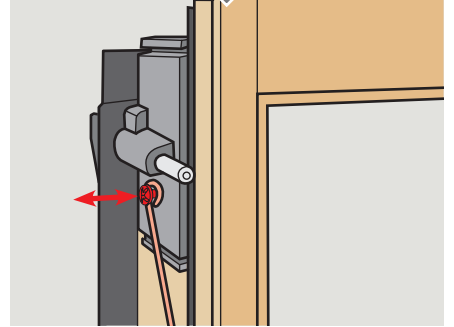
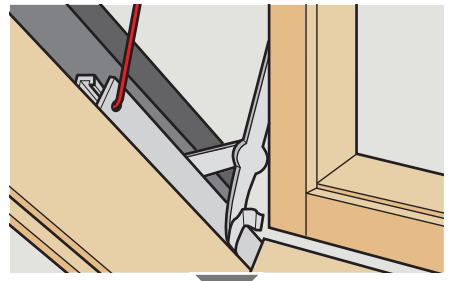
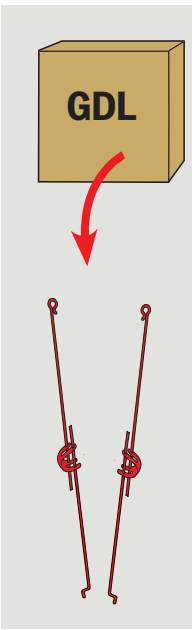
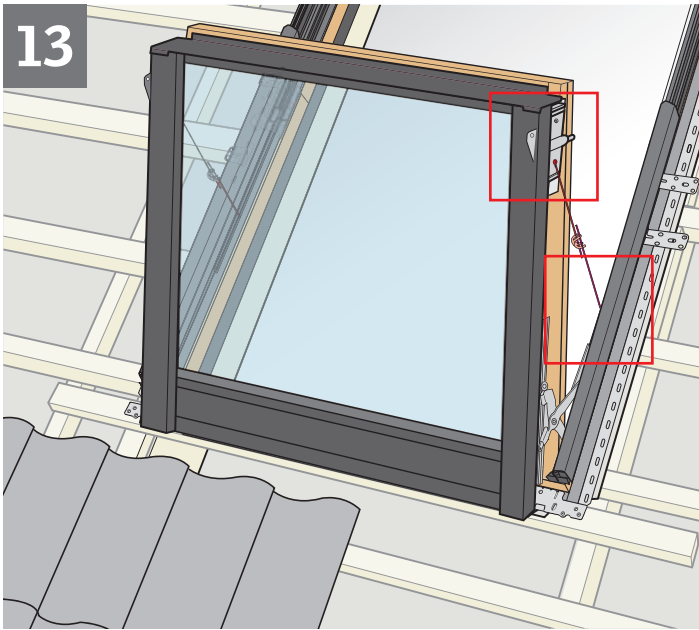




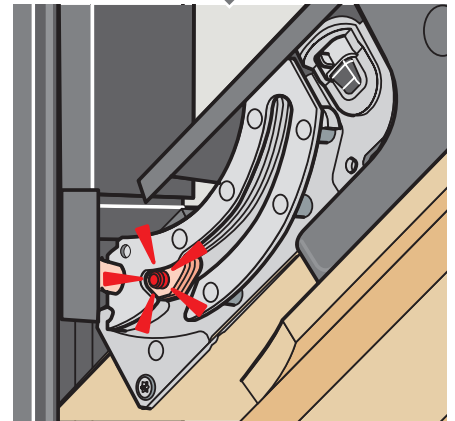
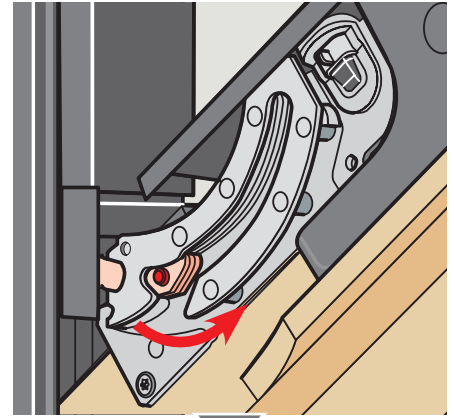
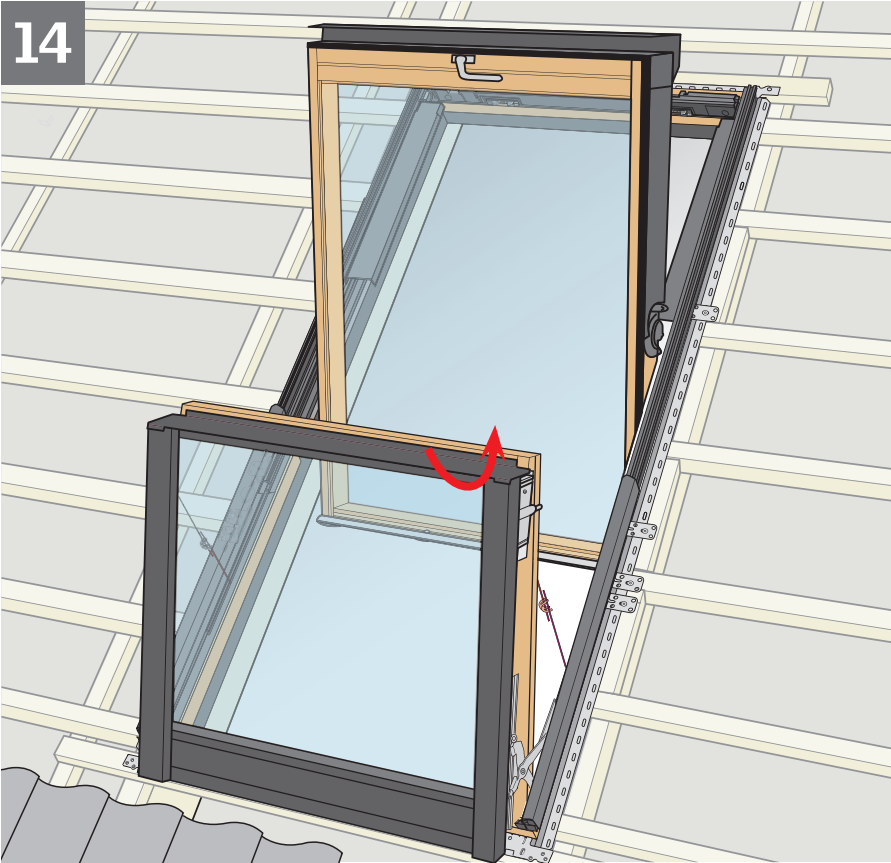
12



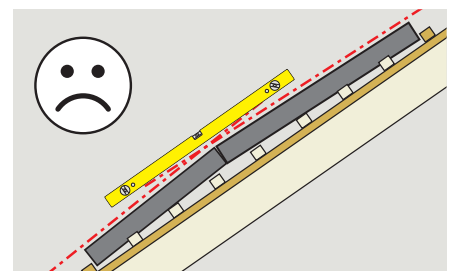
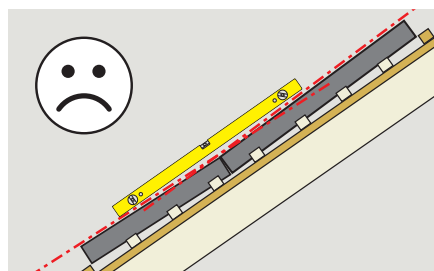
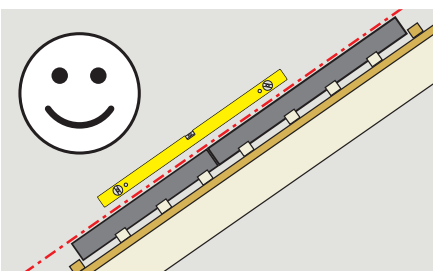
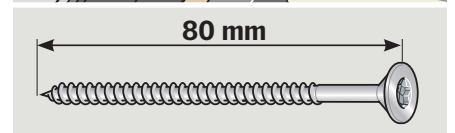
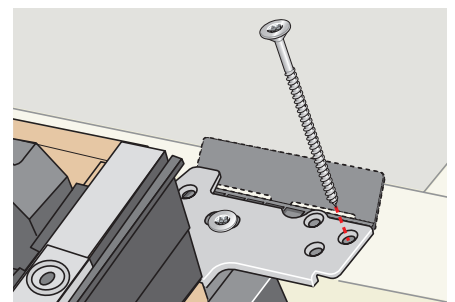
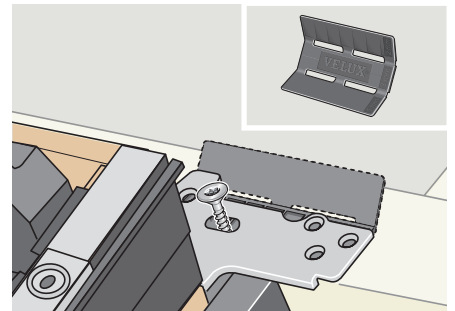
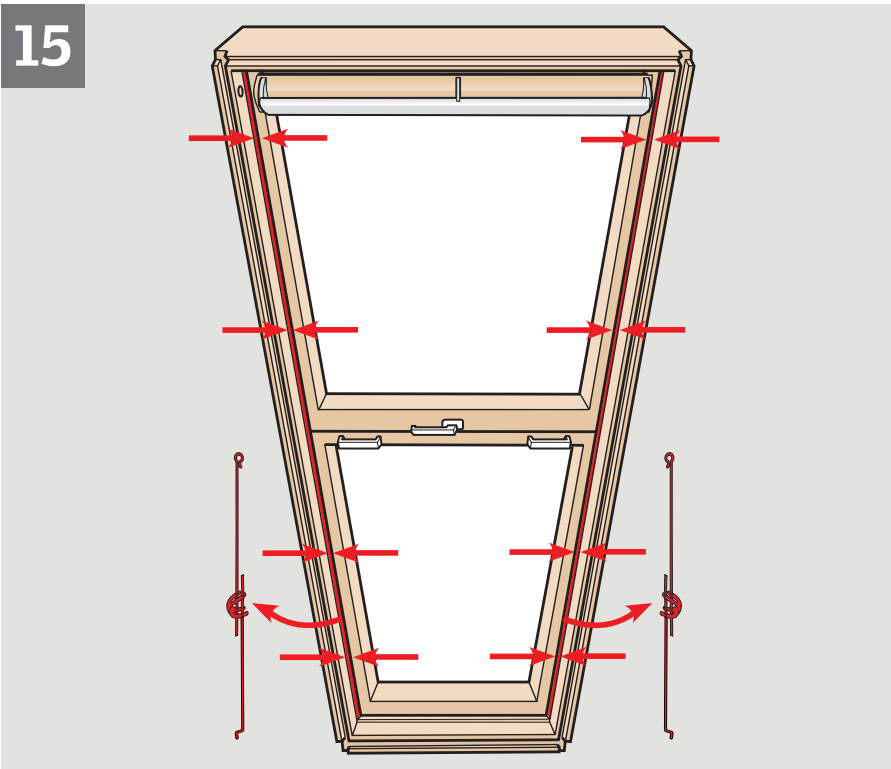
13

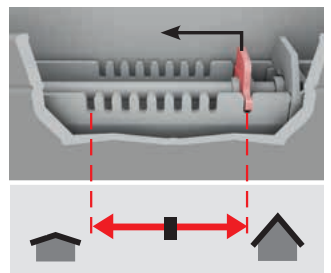
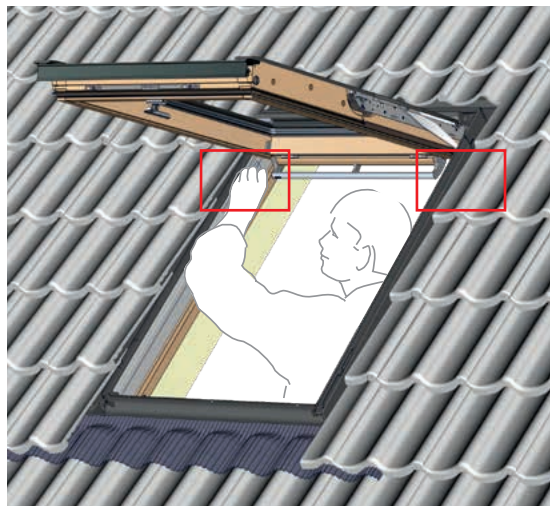
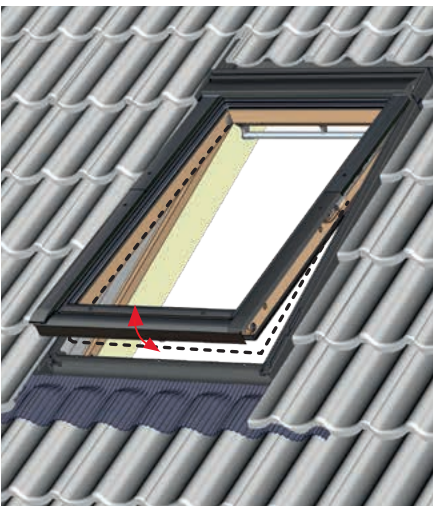
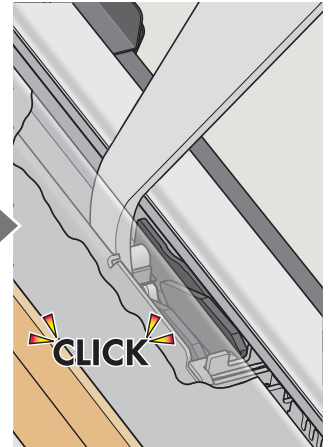
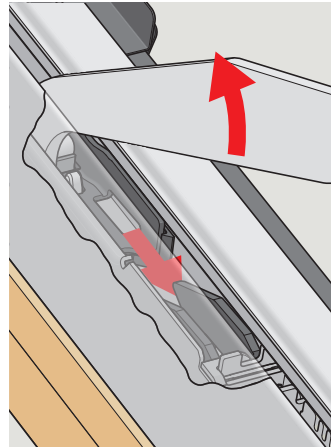
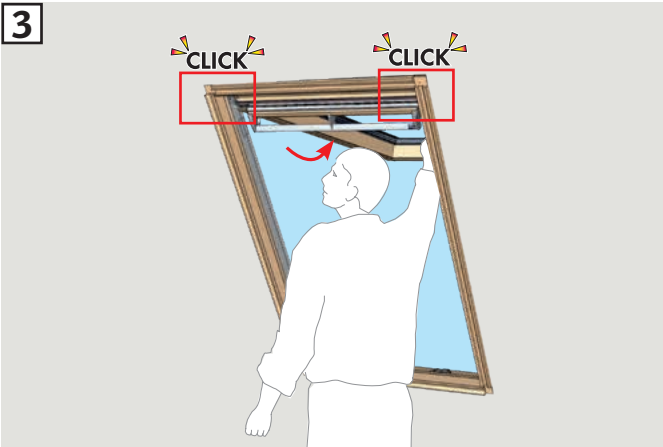
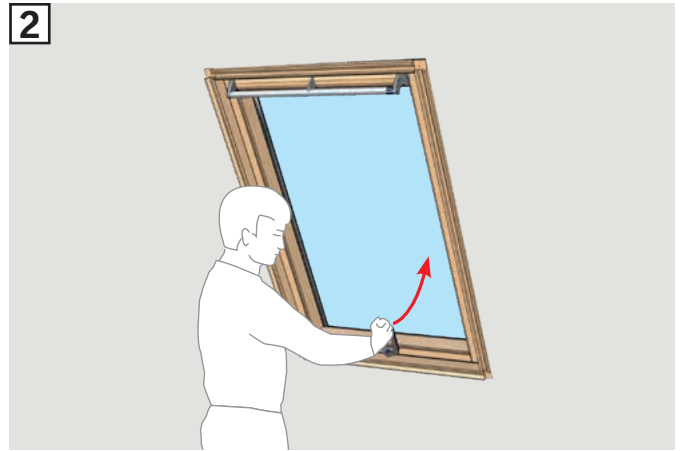
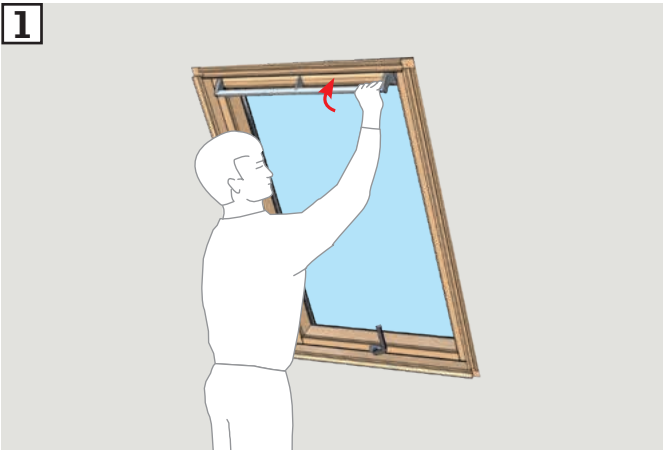


14

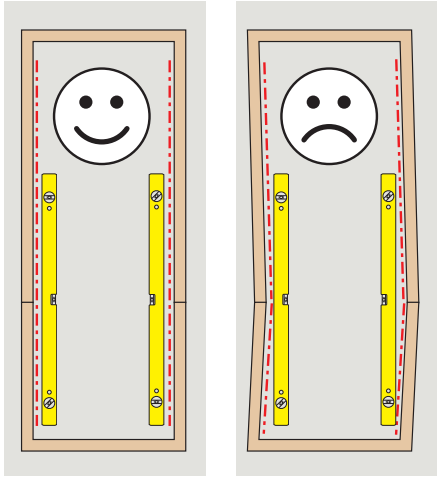
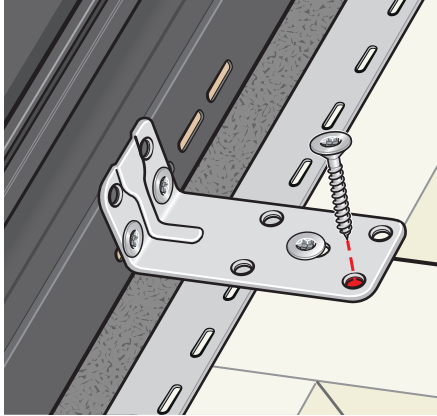
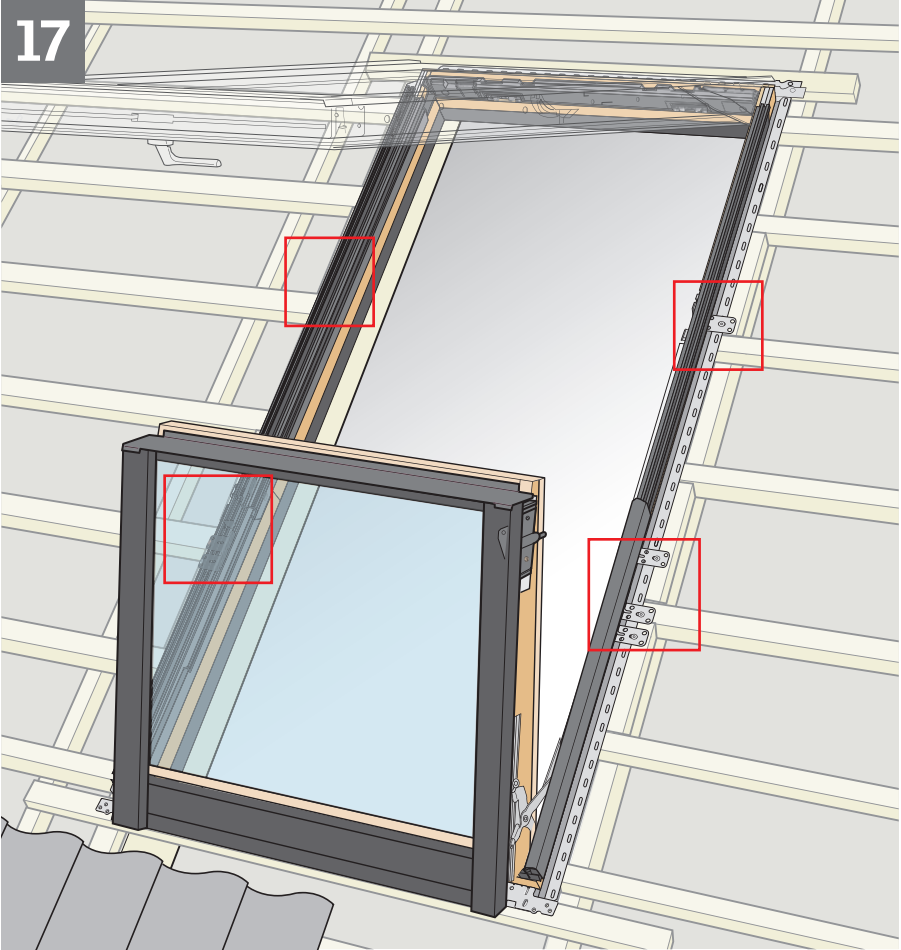


15

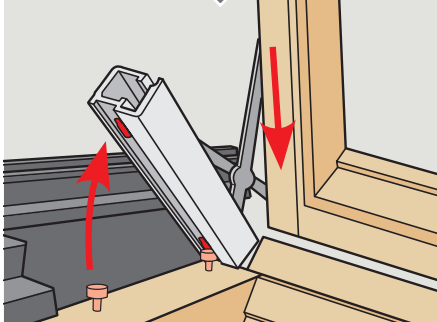
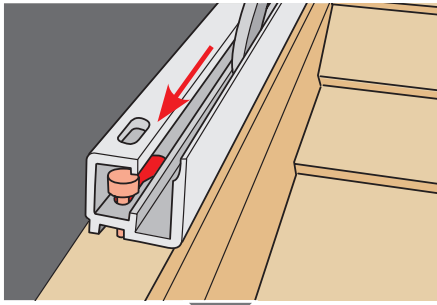
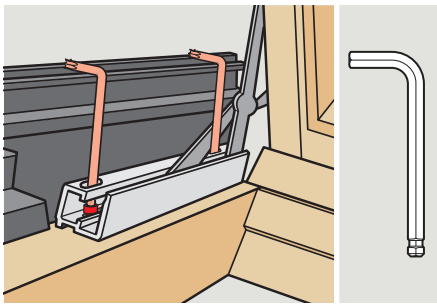
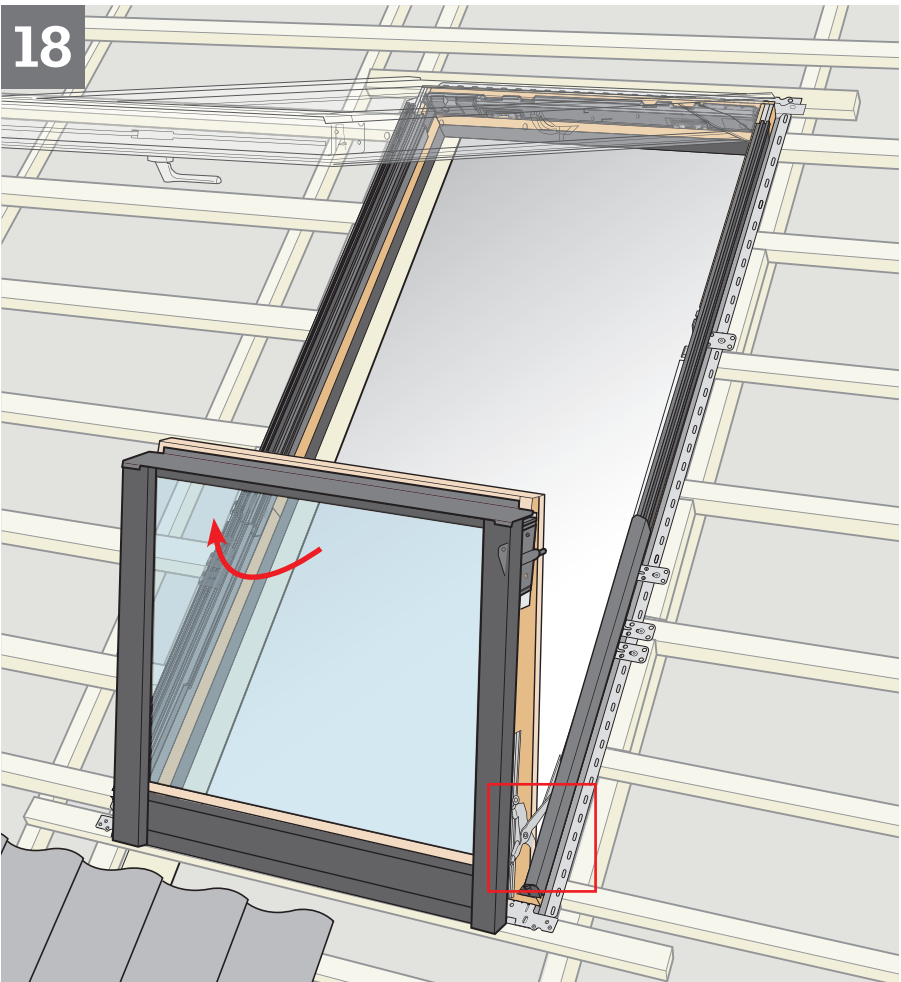




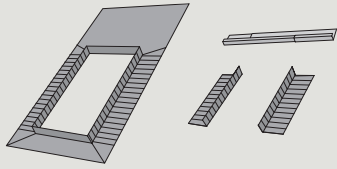
17



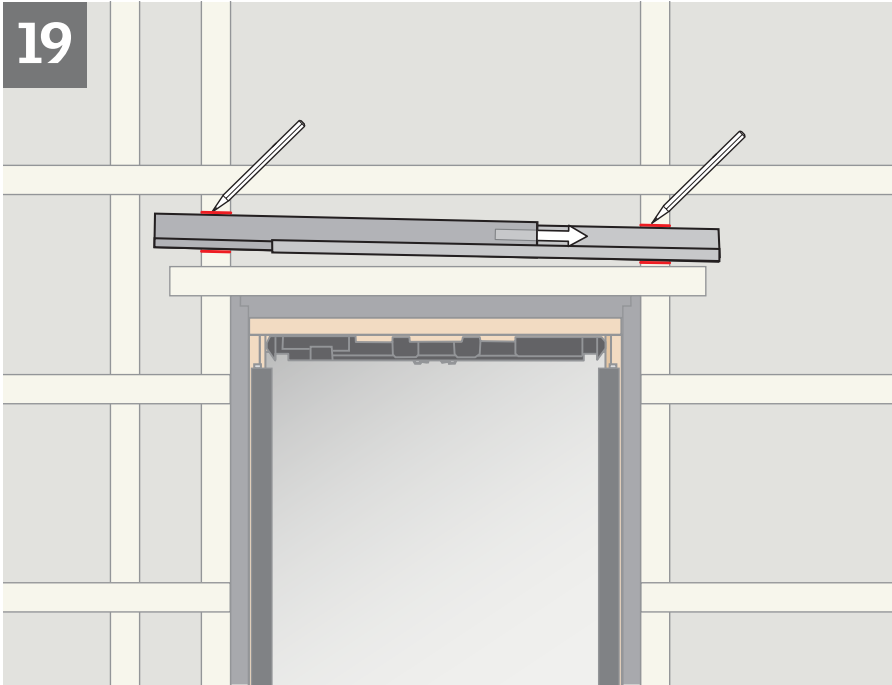
18



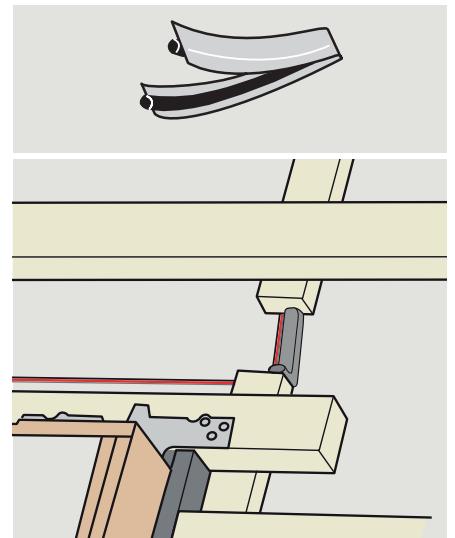
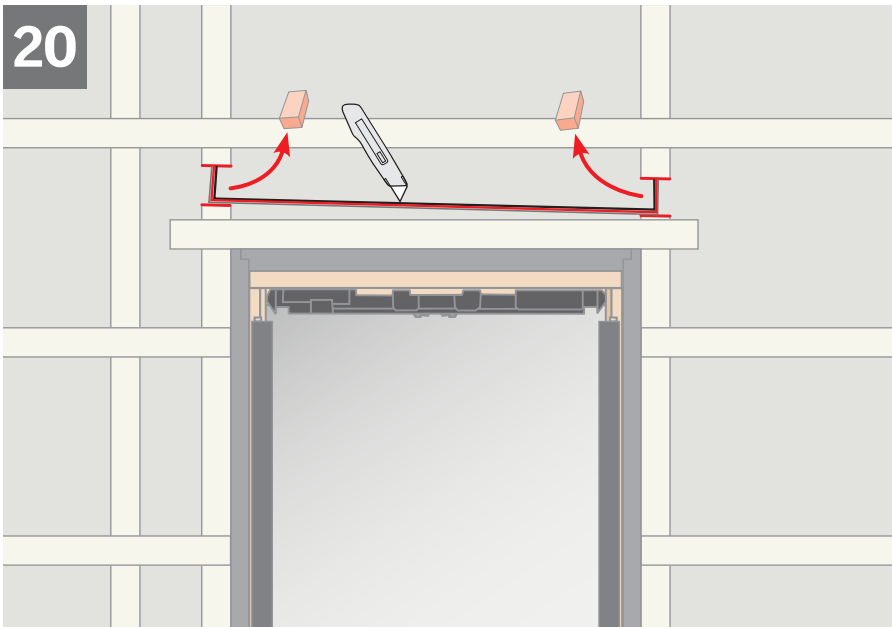
BFX
K10
WK34



19



20

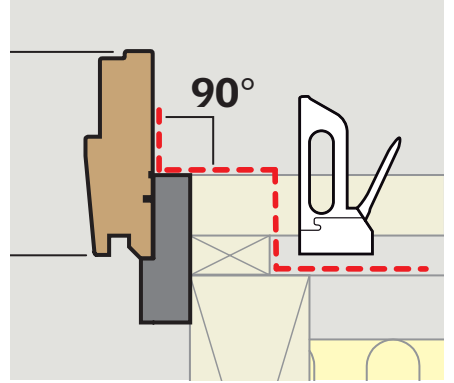
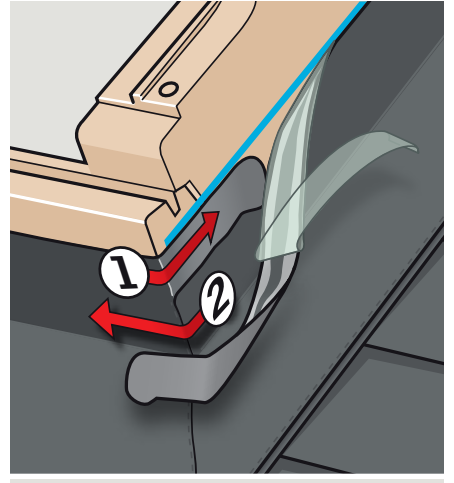
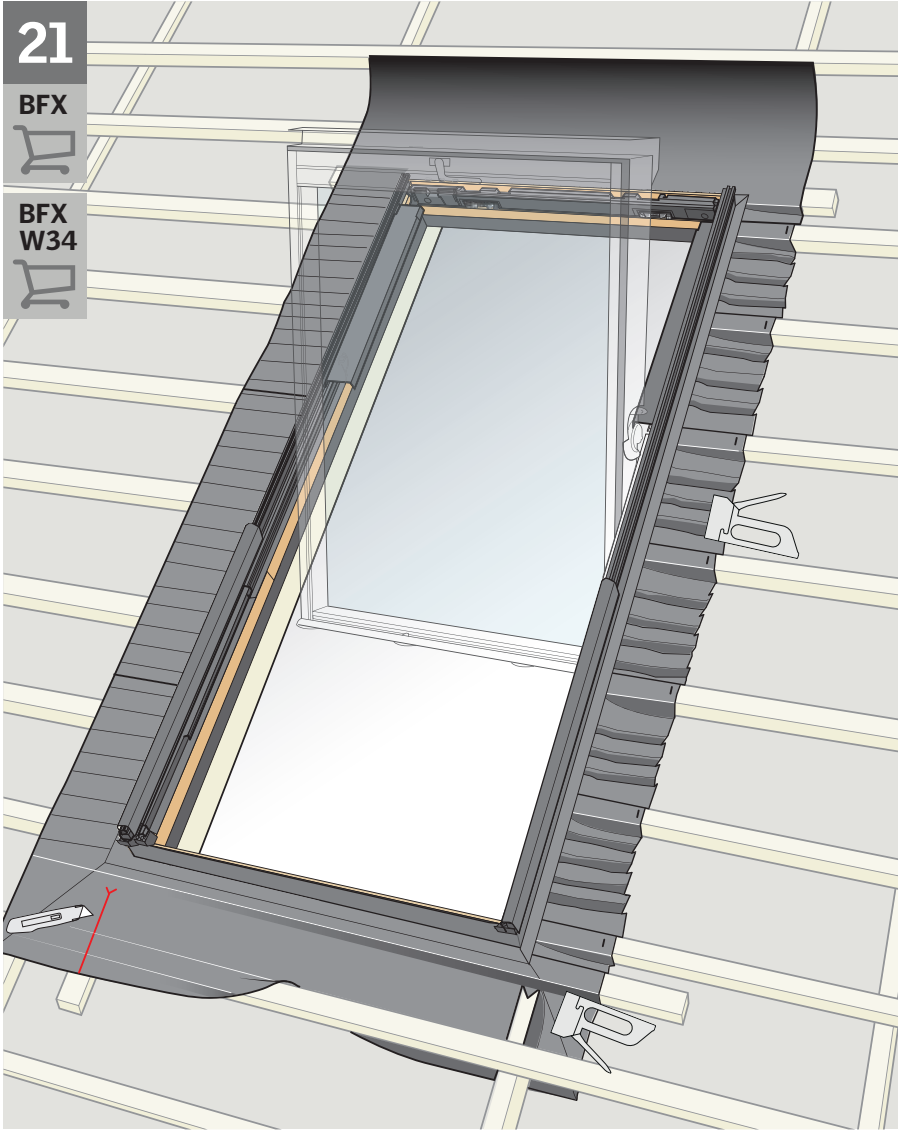


21

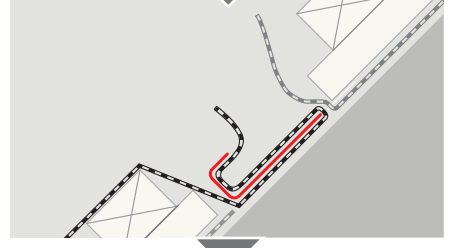
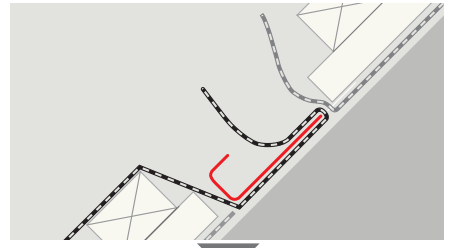
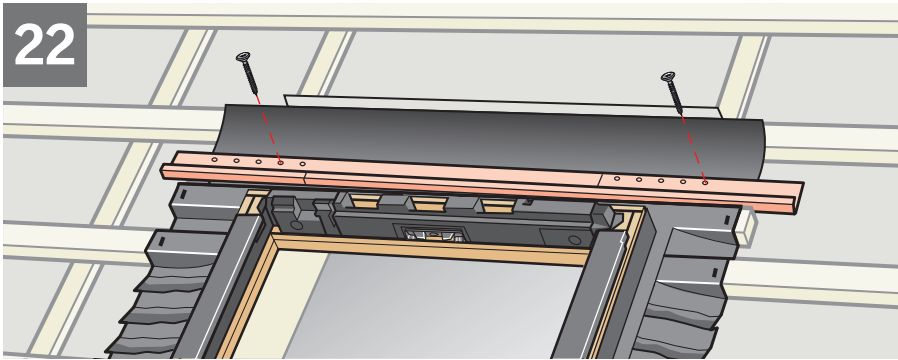
BFX



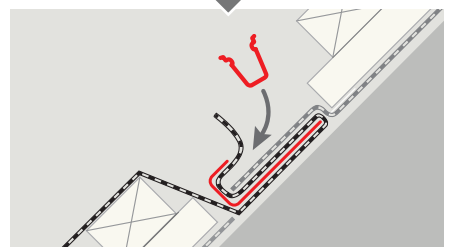
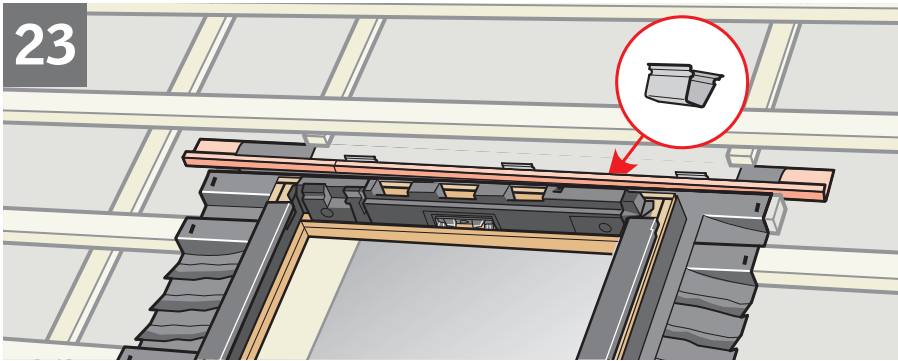
BFX
W34

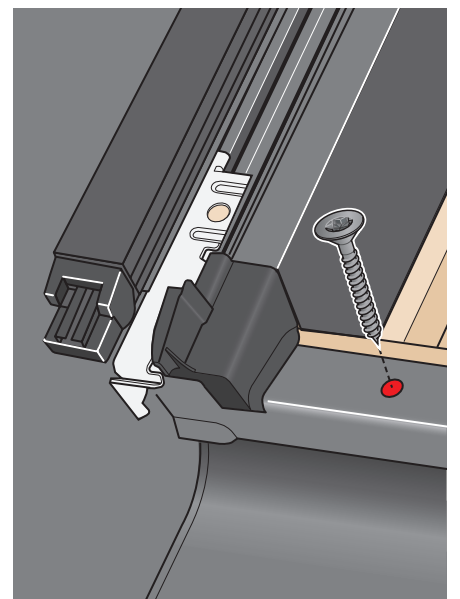
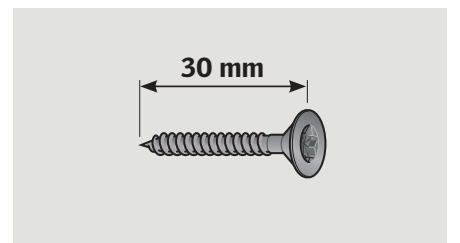
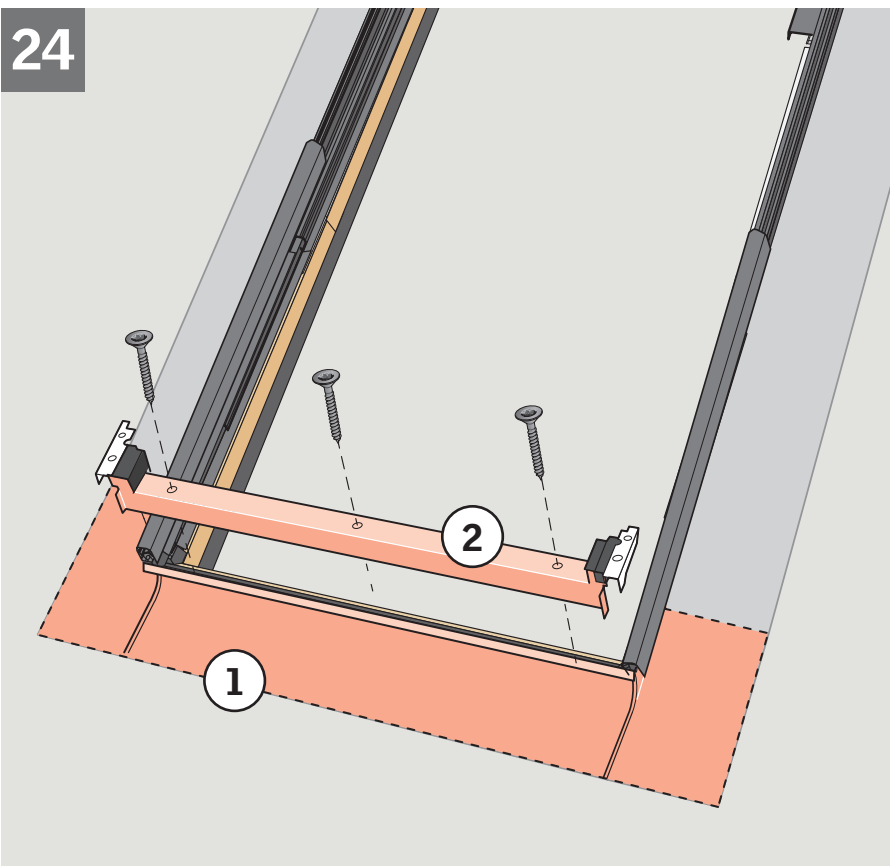


22

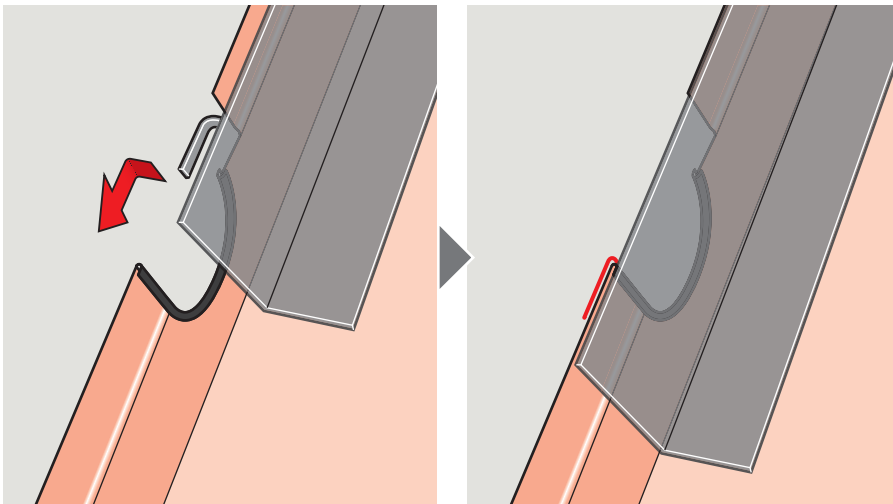
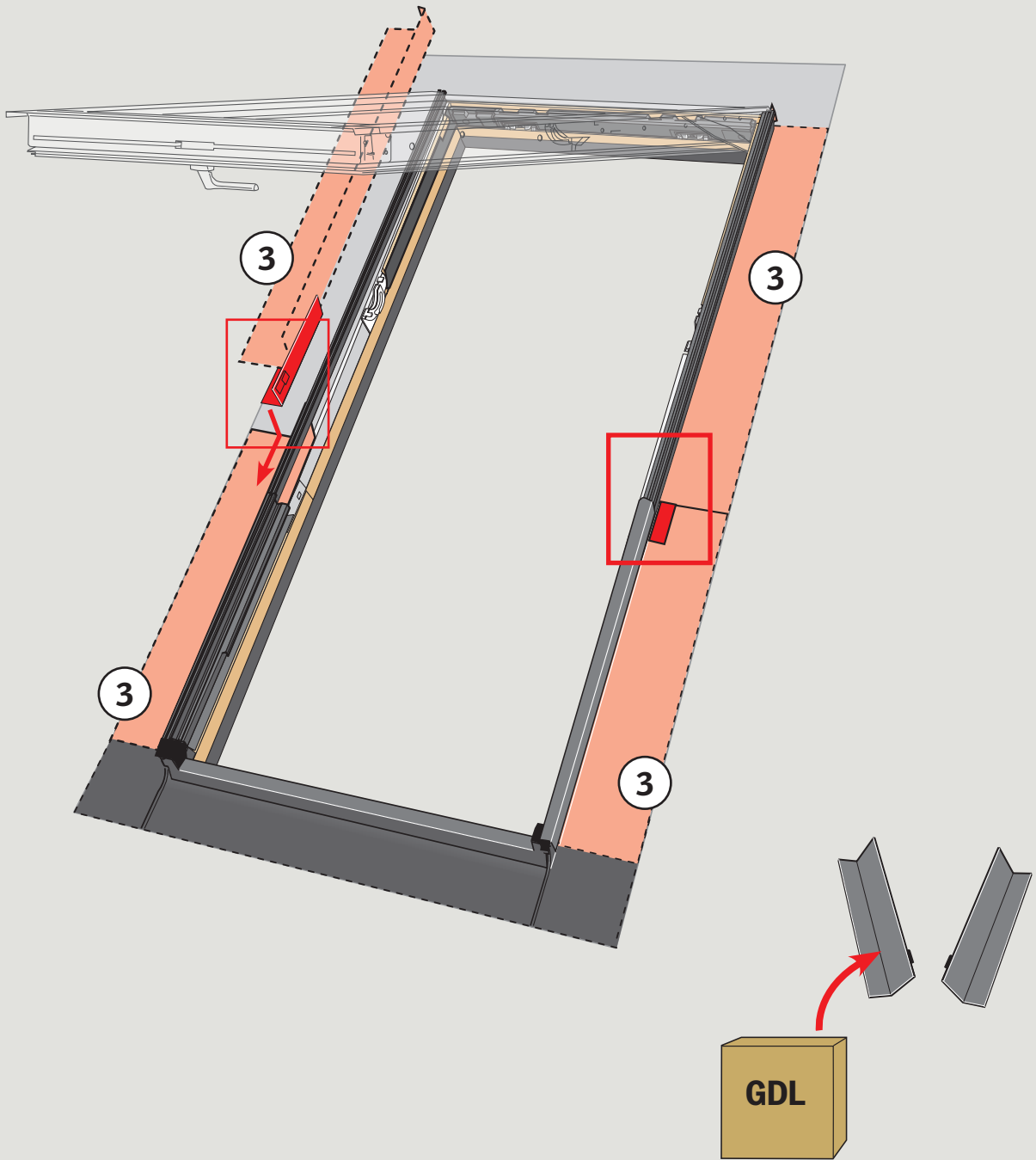


23

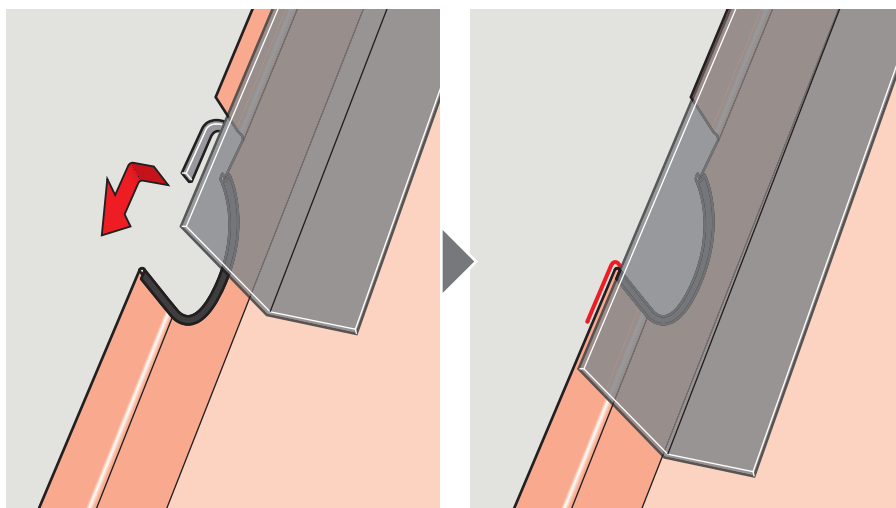
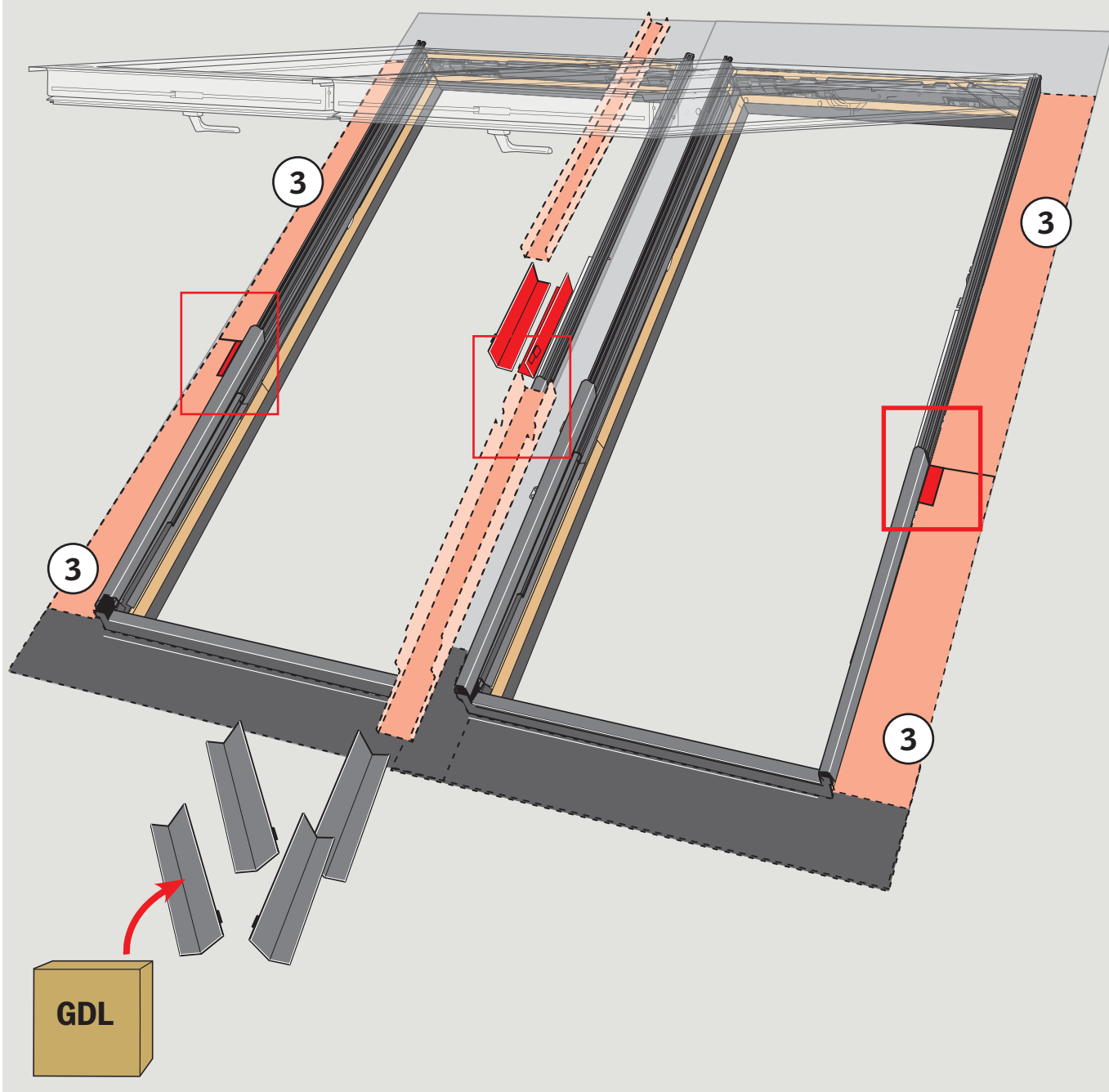




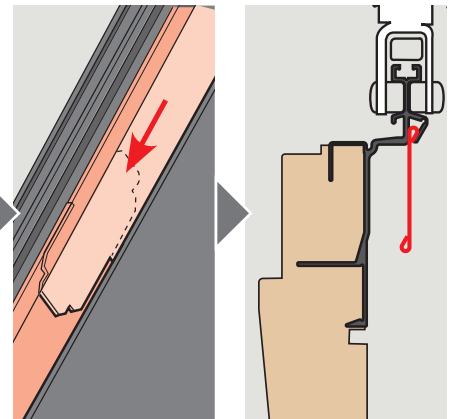
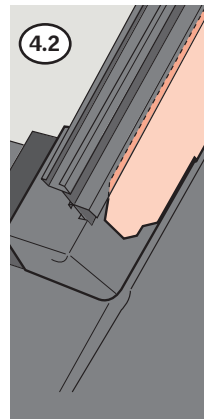
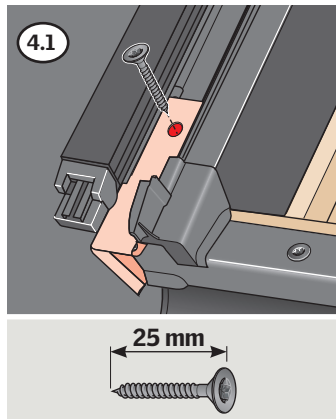
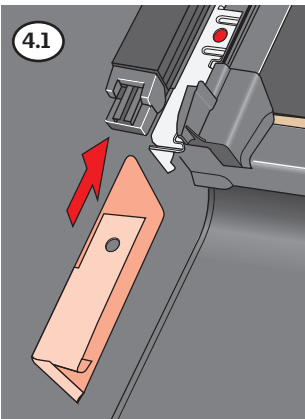
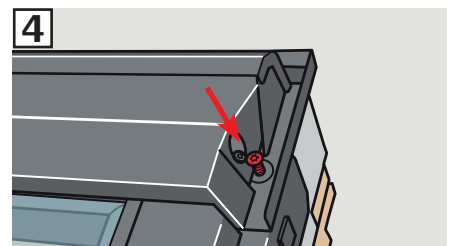
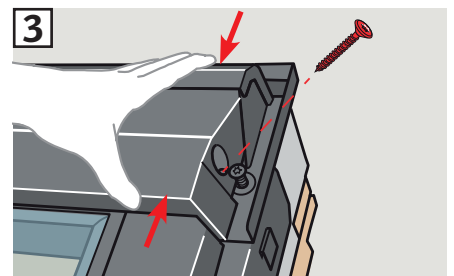
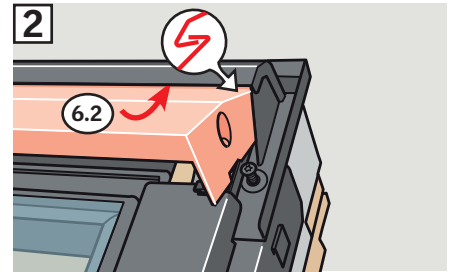
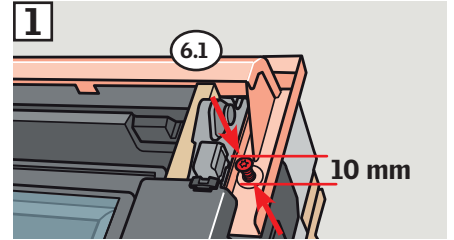
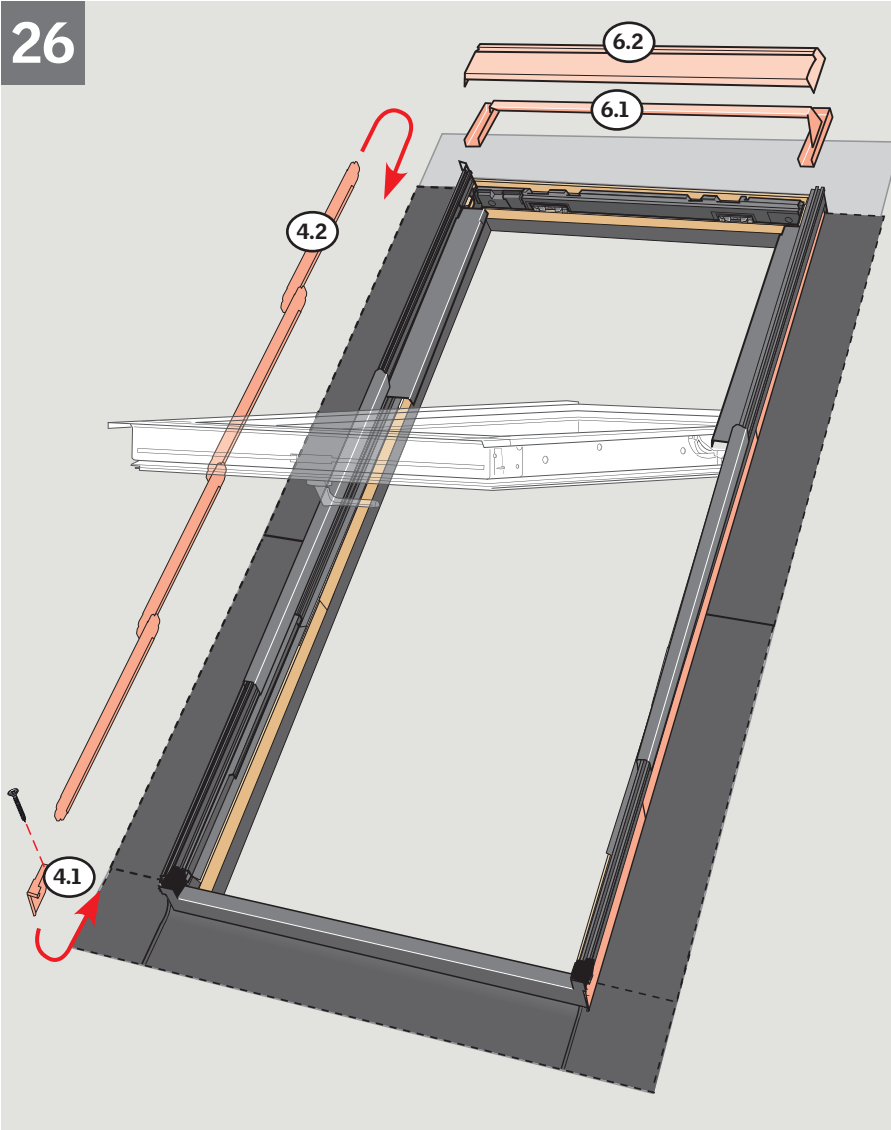
25a



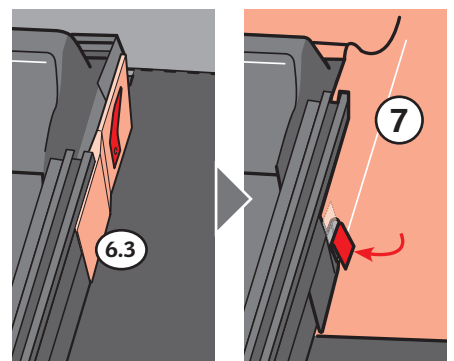
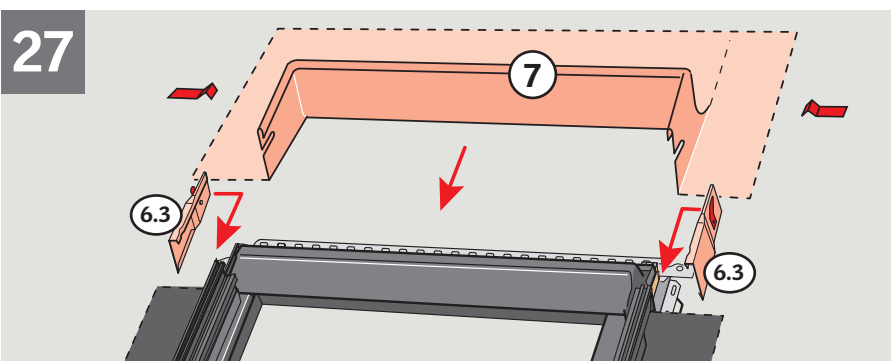
25b



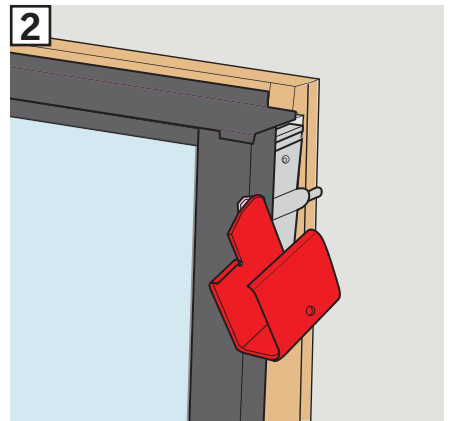
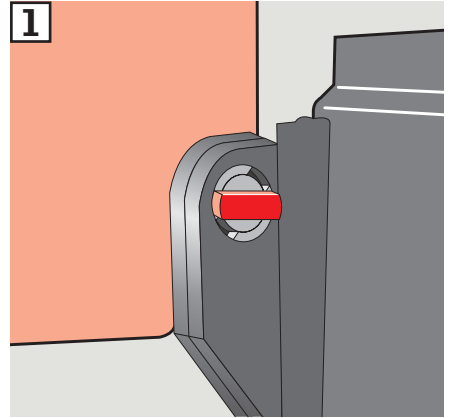
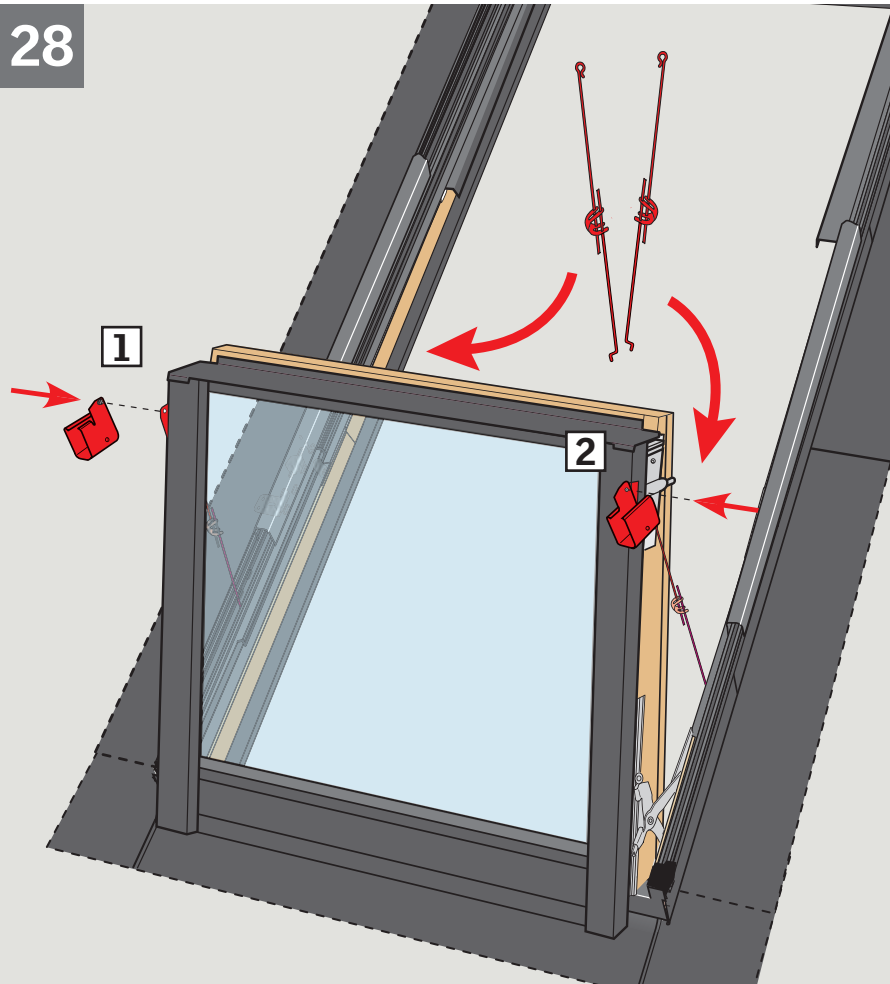
26



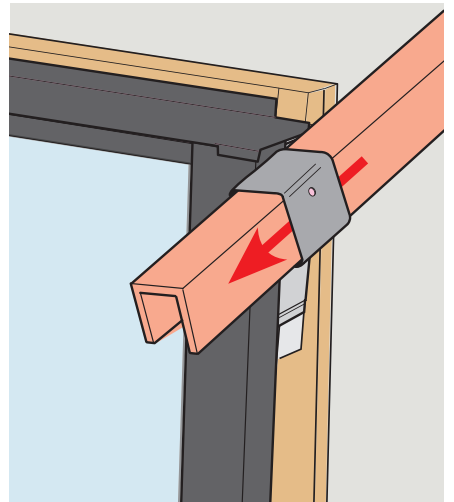
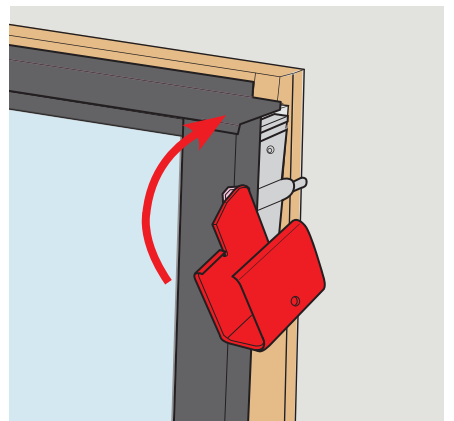
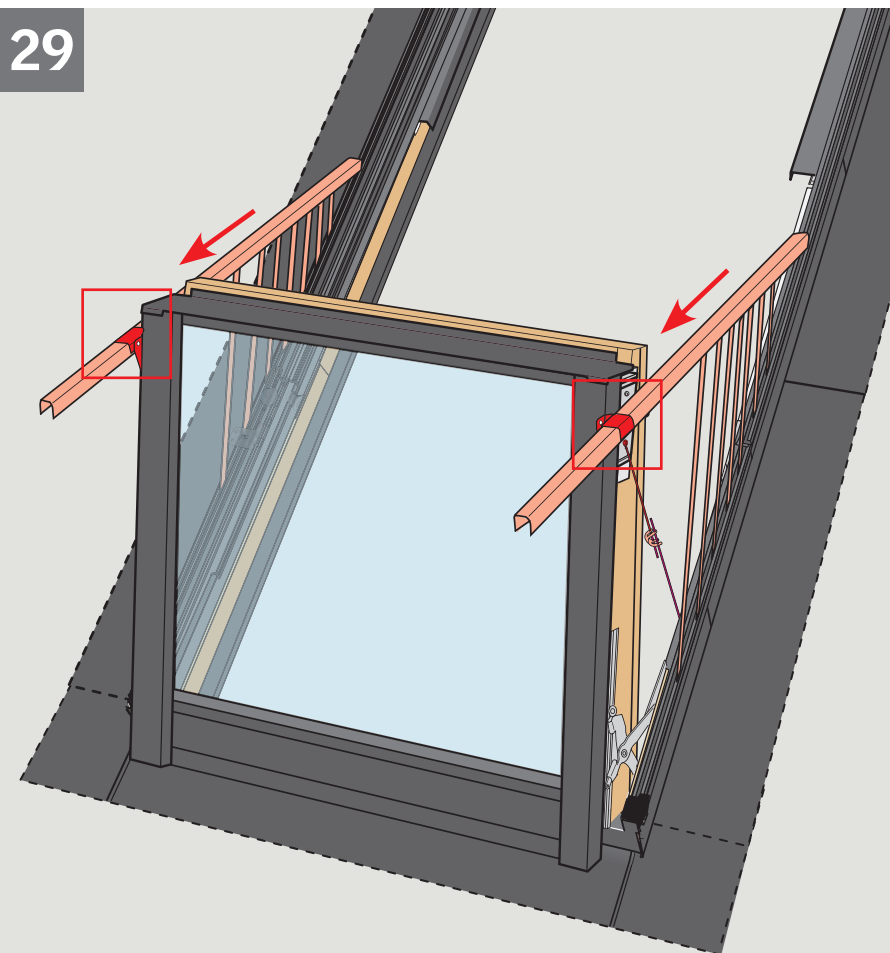
27



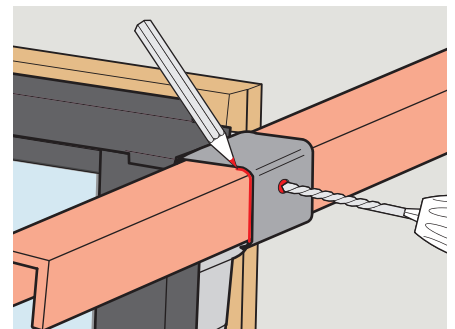
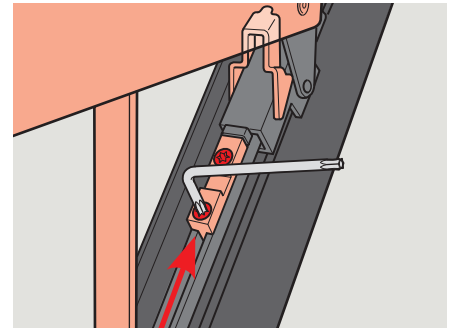
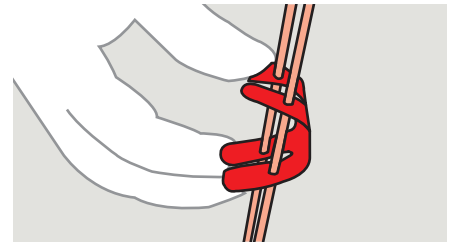
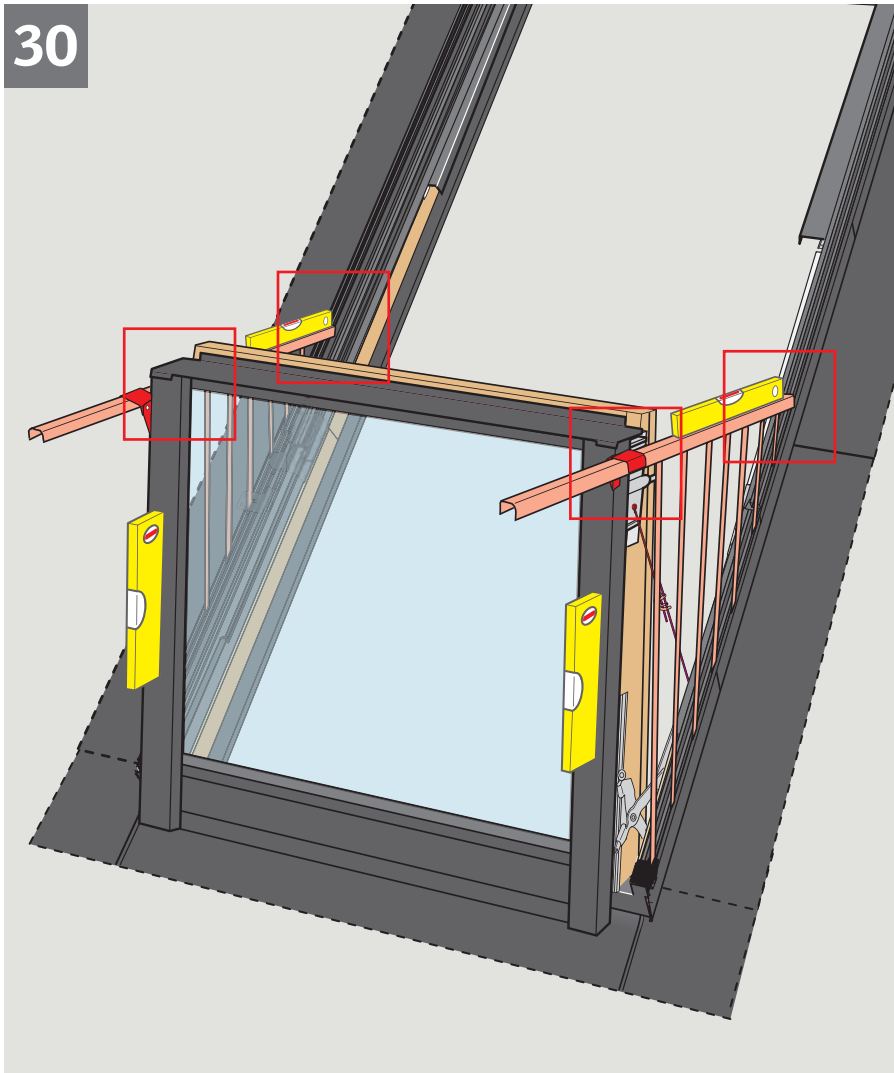
28



29

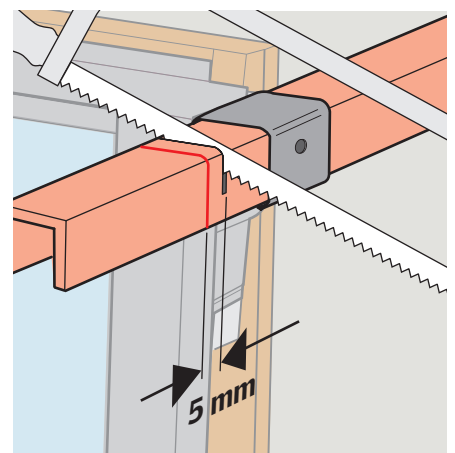
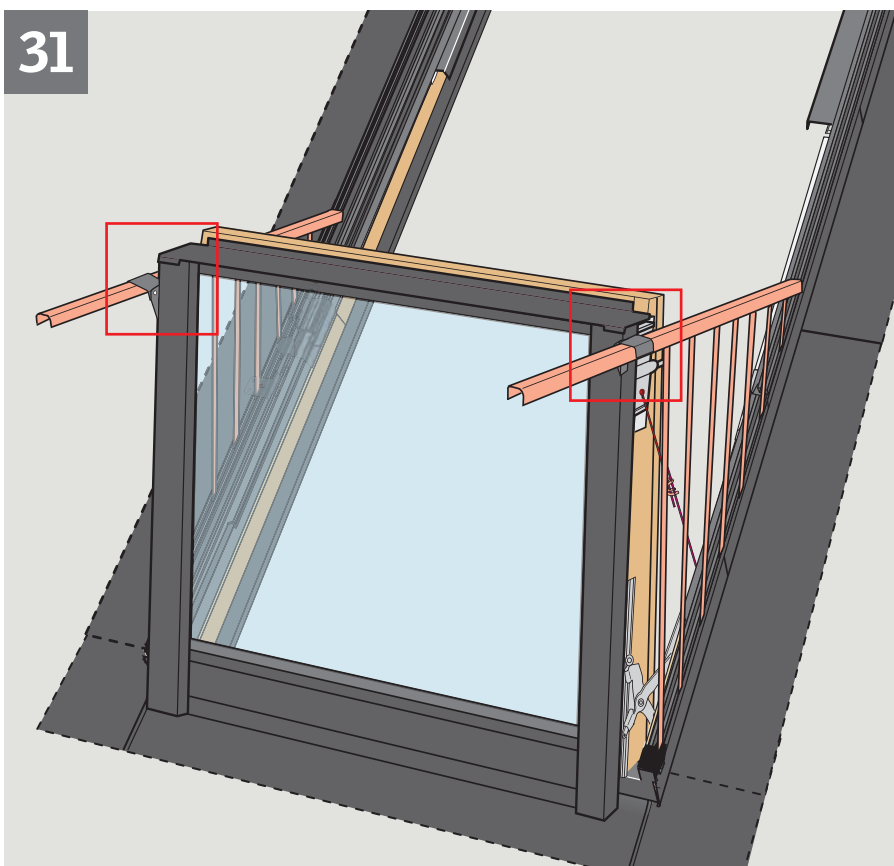


30

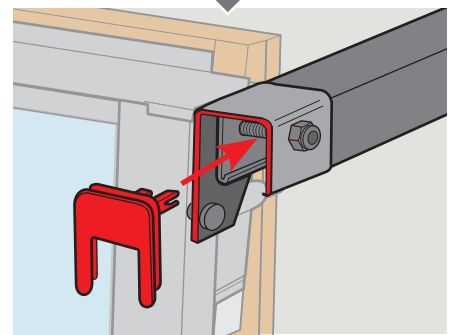
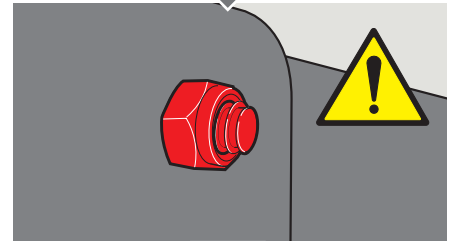
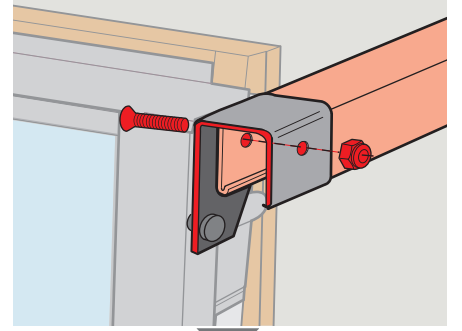
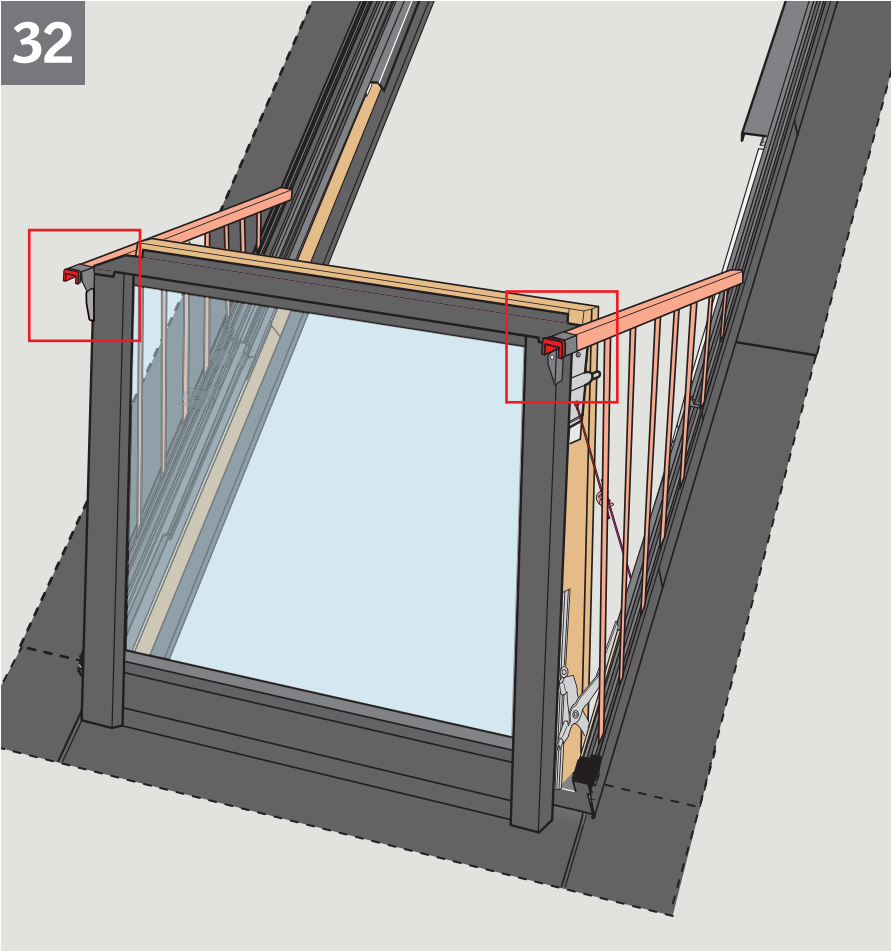


Ø 6 mm

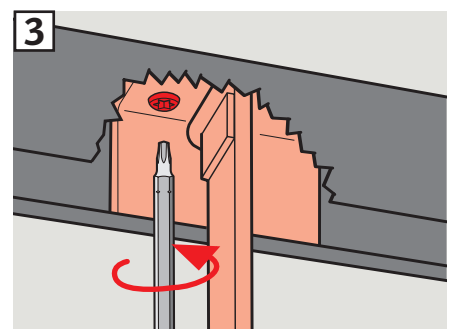
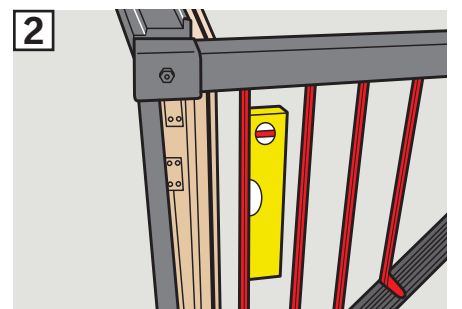
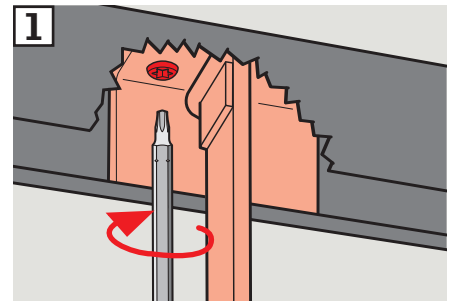
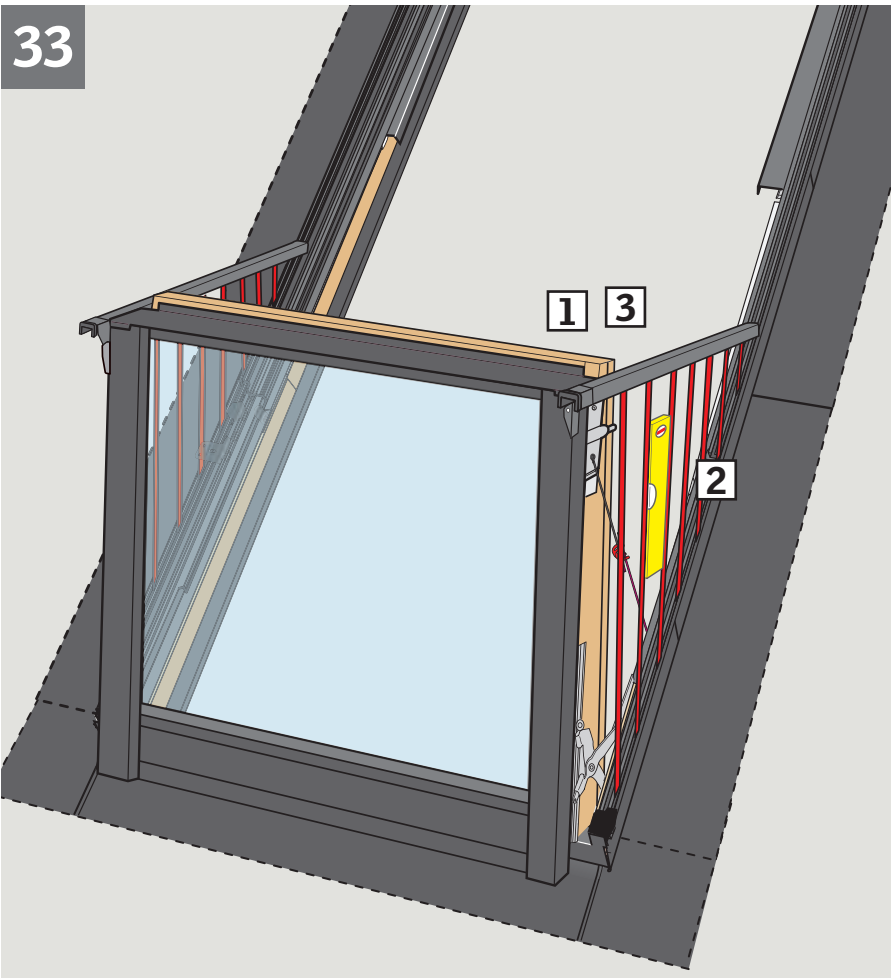
31



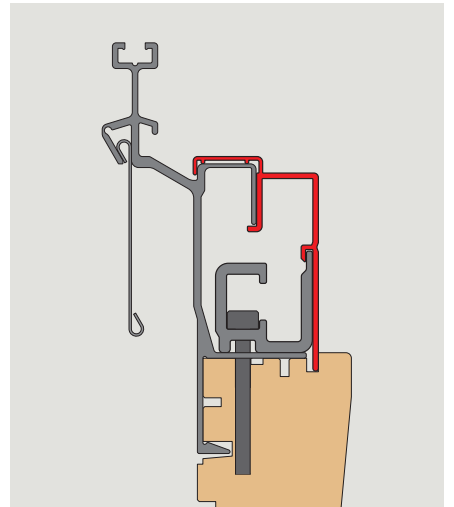
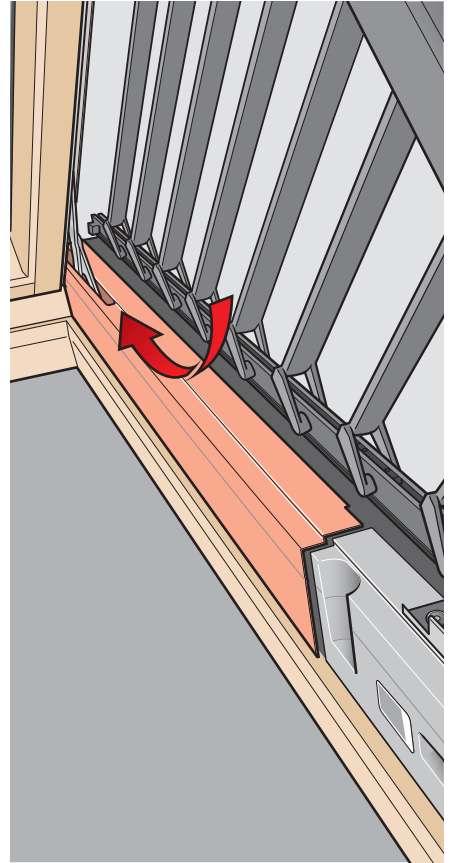
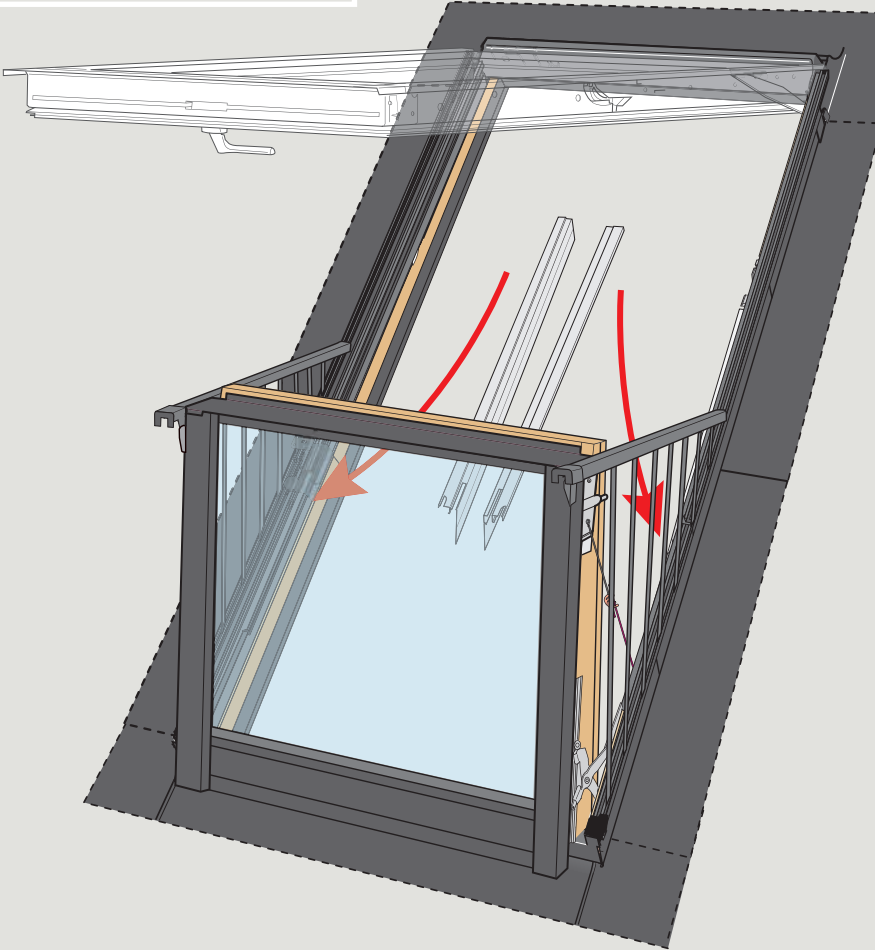
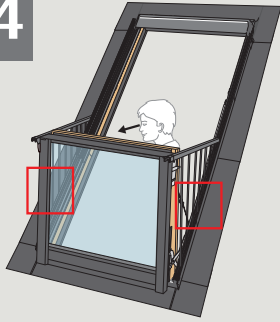
32



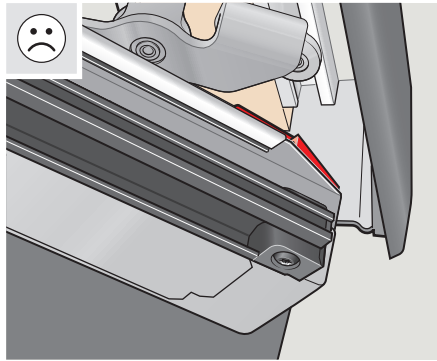
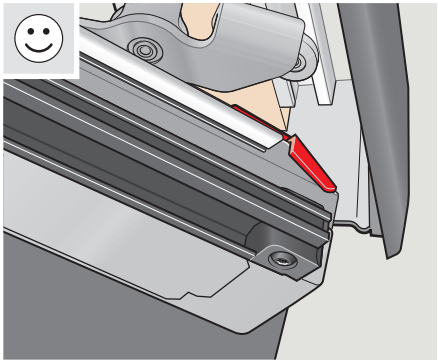
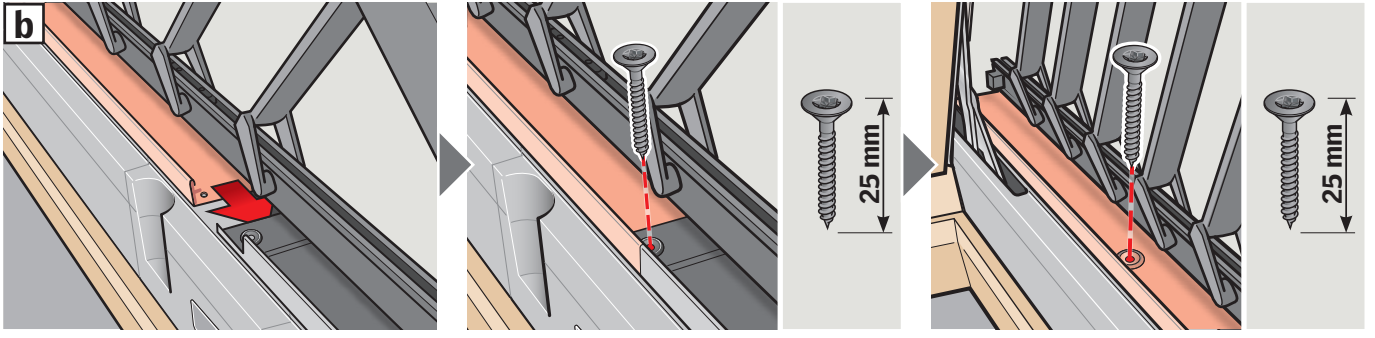
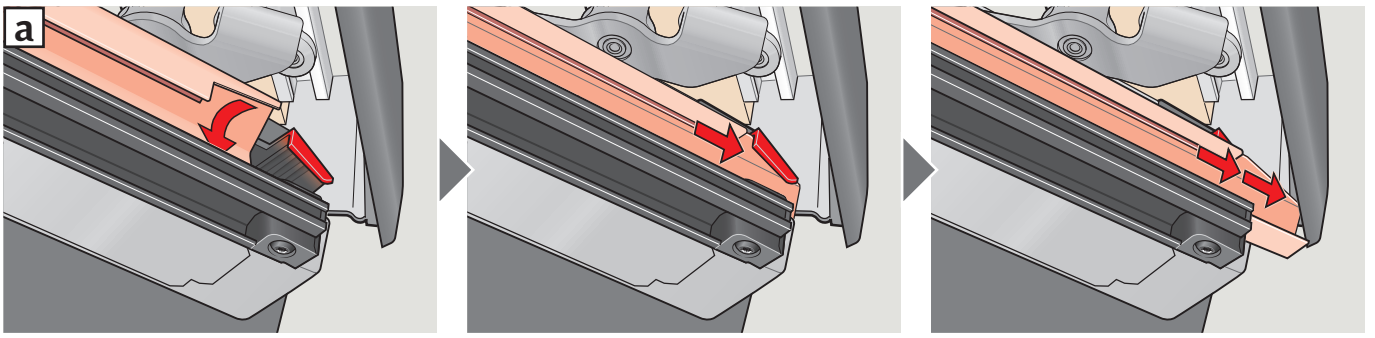
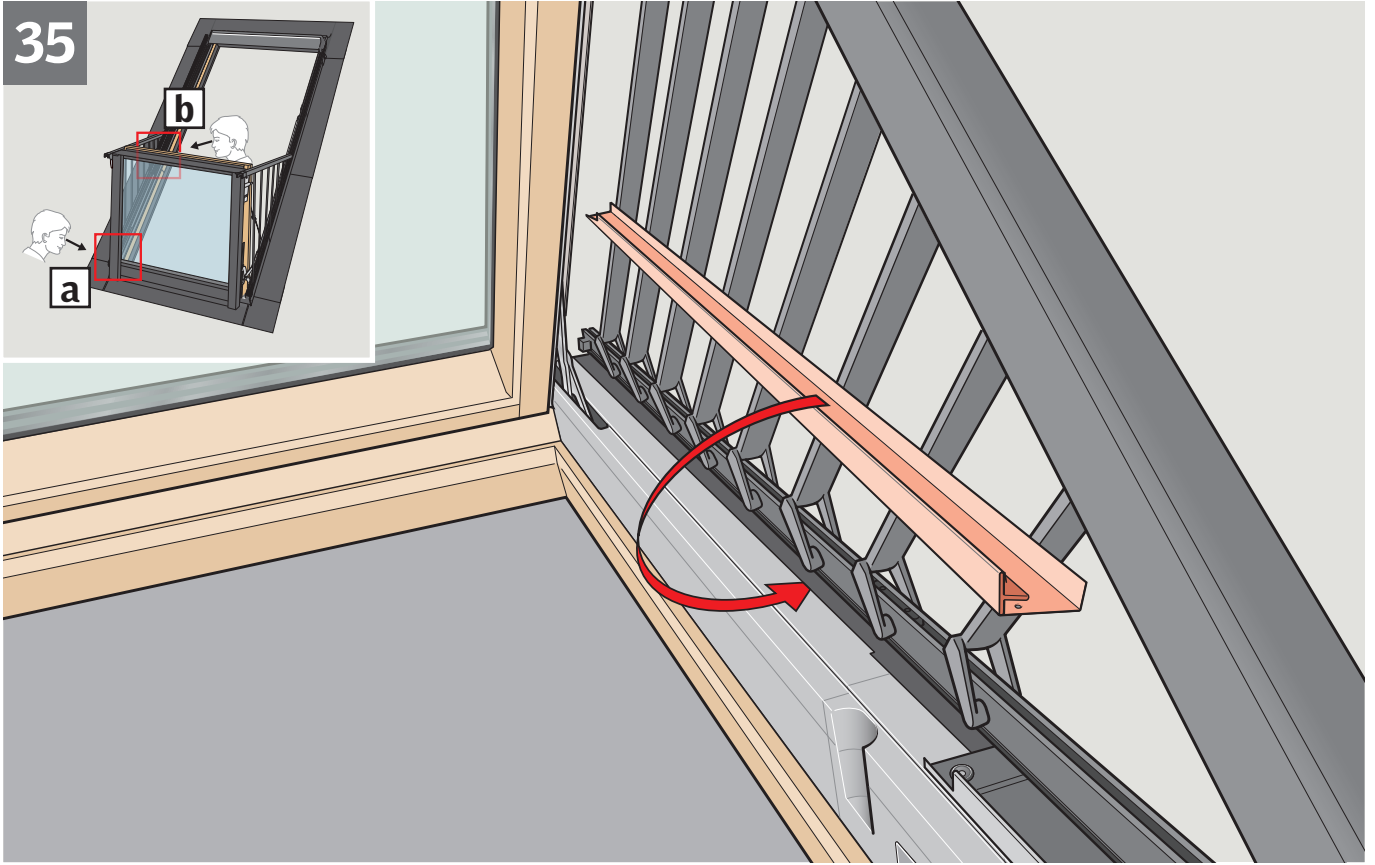
33



34



35



AR: VELUX Argentina S.A.
348 4 639944

AT: VELUX Österreich GmbH
02245/32 3 50

AU: VELUX Australia Pty. Ltd.
1300 859 856

BA: VELUX Bosna i Hercegovina d.o.o.
033/626 493, 626 494

BE: VELUX Belgium
(010) 42.09.09

BG: ВЕЛУКС България ЕООД
02/955 99 30

BY: Унитарное предприятие
"ВЕЛЮКС Мансардные Окна"
(017) 329 20 89

CA: VELUX Canada Inc.
1 800 88-VELUX (888-3589)

CH: VELUX Schweiz AG
062 289 44 45

CL: VELUX Chile SpA
2 953 6789

CN: VELUX (CHINA) CO. LTD.
0316-607 27 27

CZ: VELUX Česká republika, s.r.o.
531 015 511

DE: VELUX Deutschland GmbH
040 / 54 70 70

DK: VELUX Danmark A/S
45 16 45 16

EE: VELUX Eesti OÜ
621 7790

ES: VELUX Spain, S.A.U.
91 509 71 00

FI: VELUX Suomi Oy
0207 290 800

FR: VELUX France
0806 80 15 15
Service gratuit + prix appel

GB: VELUX Company Ltd.
01592 778 225

HR: VELUX Hrvatska d.o.o.
01/5555 444

HU: VELUX Magyarország Kft.
(06/1) 436-0601

IE: VELUX Company Ltd.
01 848 8775

IT: VELUX Italia s.p.a.
045/6173666

JP: VELUX-Japan Ltd.
0570-00-8141

KR: VELUX International (VELUX A/S)
+45 7632 9240

LT: VELUX Lietuva, UAB
(85) 270 91 01

LV: VELUX Latvia SIA
67 27 77 33

NL: VELUX Nederland B.V.
030 - 6 629 629

NO: VELUX Norge AS
22 51 06 00

NZ: VELUX New Zealand Ltd.
0800 650 445

PL: VELUX Polska Sp. z o.o.
(022) 33 77 000 / 33 77 070

PT: VELUX Portugal, Lda
21 880 00 60

RO: VELUX România S.R.L.
0268-402740

RS: VELUX Srbija d.o.o.
011 20 57 500

RU: ЗАО ВЕЛЮКС
(495) 640 87 20

SE: VELUX Svenska AB
042/20 83 80

SI: VELUX Slovenija d.o.o.
01 724 68 68

SK: VELUX Slovensko, s.r.o.
(02) 33 000 555

TR: VELUX Çatı Pencereleri
Ticaret Limited Şirketi
0 216 302 54 10

UA: ТОВ "ВЕЛЮКС Україна"
(044) 2916070

US: VELUX America LLC
1-800-88-VELUX

www.velux.com